



KQE 1050
KQE 1050 X

Refrigerator
מקרר

BEKO

Please read this manual first!

Dear Customer,

We hope that your product, which has been produced in modern plants and checked under the most meticulous quality control procedures, will provide you an effective service.

For this, we recommend you to carefully read the entire manual of your product before using it and keep it at hand for future references.




This manual

- Will help you use your appliance in a fast and safe way.
- Read the manual before installing and operating your product.
- Follow the instructions, especially those for safety.
- Keep the manual in an easily accessible place as you may need it later.
- Besides, read also the other documents provided with your product.

Please note that this manual may be valid for other models as well.

Symbols and their descriptions

This instruction manual contains the following symbols:

-  Important information or useful usage tips.
-  Warning against dangerous conditions for life and property.
-  Warning against electric voltage.



This product bears the selective sorting symbol for waste electrical and electronic equipment (WEEE).

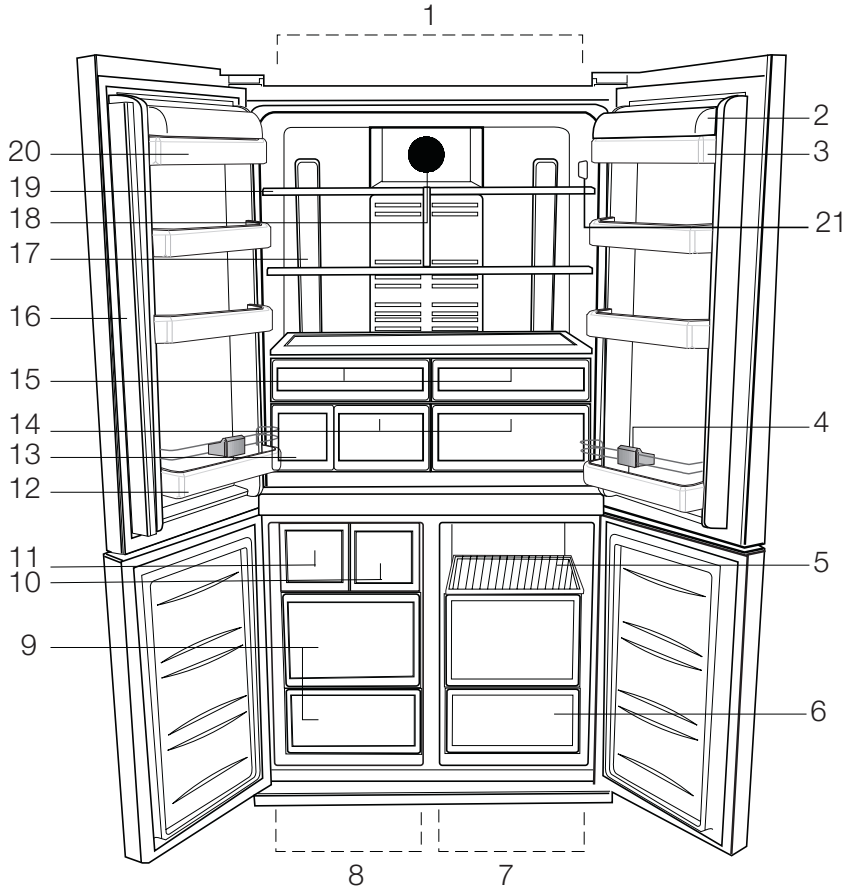
This means that this product must be handled pursuant to European Directive 2002/96/EC in order to be recycled or dismantled to minimise its impact on the environment. For further information, please contact your local or regional authorities.

Electronic products not included in the selective sorting process are potentially dangerous for the environment and human health due to the presence of hazardous substances.

CONTENTS

1 The refrigerator	3	4 Preparation	12
2 Important Safety Warnings	4	5 Using your refrigerator	13
Intended use	4	Indicator Panel.....	13
General safety	4	Door Open Alarm:	14
Child safety.....	6	Dual cooling system:	14
HCA Warning	6	Freezing fresh food.....	15
Things to be done for energy saving ..	7	Recommendations for preservation of frozen food	16
3 Installation	8	Placing the food	16
Points to be considered when re-transporting your refrigerator	8	Deep-freeze information	16
Before operating your refrigerator	8	Egg tray.....	17
Electric connection	9	Sliding Body Shelves With Rear Hangers	18
Disposing of the packaging	9	Butter & Cheese Section	18
Disposing of your old refrigerator	9	Sliding Body Shelves	18
Placing and Installation	9	Chiller compartment	19
Floor balance adjustment	10	Blue light	19
Adjusting the gap between the upper door	10	(in some models)	19
		Movable Middle Section	19
		Multi Zone Storage Compartment ..	19
		Crisper	20
		6 Cleaning and care	21
		Protection of plastic surfaces	21
		7 Recommended solutions for the problems	22

1 The refrigerator



- | | | | |
|-----|----------------------------------|-----|----------------------------------|
| 1. | Fridge compartment | 11. | Icematic |
| 2. | Butter and cheese shelf lid | 12. | Bottle shelf |
| 3. | Butter & Cheese shelf | 13. | Water tank |
| 4. | Bottle holder | 14. | Crisper |
| 5. | Food storage compartment shelf | 15. | Chiller compartment |
| 6. | Food storage compartments | 16. | Movable middle section |
| 7. | Multi Zone compartment | 17. | Illumination lens |
| 8. | Freezer compartment | 18. | Diffuser cover |
| 9. | Frozen food storage compartments | 19. | Fridge compartment glass shelves |
| 10. | Fresh Freeze compartment | 20. | Fridge compartment door shelves |
| | | 21. | Indicator Panel |

i Figures that take place in this instruction manual are schematic and may not correspond exactly with your product. If the subject parts are not included in the product you have purchased, then it is valid for other models.

2 Important Safety Warnings

Please review the following information. If these are not followed, personal injury or material damage may occur. Otherwise, all warranty and reliability commitments will become invalid.

The usage life of the unit you purchased is 10 years. This is the period for keeping the spare parts required for the unit to operate as described.

Intended use

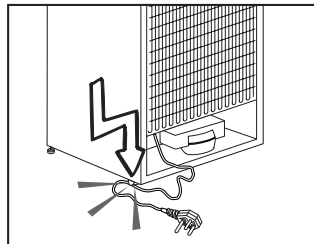
- This appliance is intended to be used in household and similar applications such as
 - staff kitchen areas in shops, offices and other working environments;
 - farm houses and by clients in hotels, motels and other residential type environments;
 - bed and breakfast type environments;
 - catering and similar non-retail applications.
- It should not be used outdoors. It is not appropriate to use it outdoor even if the place is covered with a roof.

General safety

- When you want to dispose/scrap the product, we recommend you to consult the authorized service in order to learn the required information and authorized bodies.
- Consult your authorized service for all your questions and problems related to the refrigerator. Do not intervene or let someone intervene to the refrigerator without notifying the authorized services.
- Do not eat cone ice cream and ice cubes immediately after you take them out of the freezer compartment! (This may cause frostbite in your mouth.)

- Do not put bottled and canned liquid beverages in the freezer compartment. Otherwise, these may burst.
- Do not touch frozen food by hand; they may stick to your hand.
- Vapor and vaporized cleaning materials should never be used in cleaning and defrosting processes of your refrigerator. In such cases, the vapor might get in contact with the electrical parts and cause short circuit or electric shock.
- Never use the parts on your refrigerator such as the door as a means of support or step.
- Do not use electrical devices inside the refrigerator.
- Do not damage the cooling circuit, where the refrigerant is circulating, with drilling or cutting tools. The refrigerant that might blow out when the gas channels of the evaporator, pipe extensions or surface coatings are punctured may cause skin irritations and eye injuries.
- Do not cover or block the ventilation holes on your refrigerator with any material.
- Repairs of the electrical appliances must only be made by qualified persons. Repairs performed by incompetent persons may create a risk for the user.
- In case of any failure or during a maintenance or repair work, disconnect your refrigerator's mains supply by either turning off the relevant fuse or unplugging your appliance.
- Do not pull by the cable when pulling off the plug.

- Place the beverage with higher proofs tightly closed and vertically.
- Do not store explosive substances such as aerosol cans with a flammable propellant in this appliance.
- Do not use mechanical devices or other means to accelerate the defrosting process, others than those recommended by the manufacturer.
- This appliance is not intended for use by persons (including children) with reduced physical, sensory or mental capabilities, or lack of experience and knowledge, unless they have been given supervision or instruction concerning use of the appliance by a person responsible for their safety.
- Do not operate a damaged refrigerator. Consult your service if you have any doubts.
- Electrical safety of your refrigerator shall be guaranteed only if the earth system in your house complies with standards.
- Exposing the product to rain, snow, sun and wind is dangerous with respect to electrical safety.
- Contact the authorized service when there is a power cable damage and etc. so that it will not create a danger for you.
- Never plug the refrigerator into the wall outlet during installation. Otherwise, risk of death or serious injury may arise.
- This refrigerator is designed solely for storing food. It should not be used for any other purposes.
- The label that describes the technical specification of the product is located on the inner left part of the refrigerator.
- Do not hook up the refrigerator to electronic energy saving systems as it may damage the product.
- If the refrigerator has blue light do not look at the blue light through optical devices.
- If the power supply is disconnected in manually controlled refrigerators please wait for at least 5 minutes before reconnecting the power.
- This product manual should be passed to the next owner of the refrigerator if the owner changes.
- When moving the refrigerator make sure that you do not damage the power cord. In order to prevent fire the power cord should not be twisted. Heavy objects should not be placed on the power cord. When the refrigerator is being plugged do not handle the power outlet with wet hands.



- Do not plug the refrigerator if the electric outlet is loose.
- Do not splash water directly on the outer or inner parts of the refrigerator due to safety.
- Do not spray inflammable materials such as propane gas etc near refrigerator due to the risk of fire and explosion.
- Do not place objects filled with water on top of the refrigerator as it may result in electric shock or fire.

- Do not overload the refrigerator with excess food. The excess food may fall when the door is opened resulting in injuring you or damaging the refrigerator. Do not place objects on top of the refrigerator as the objects may fall when opening or closing the refrigerator door.
- Materials that require certain temperature conditions such as vaccine, temperature sensitive medicines, scientific materials etc should not be kept in refrigerator.
- If refrigerator will not be operated for an extended period of time it should be unplugged. A problem in electrical cable insulation may result in fire.
- The tip of the electric plug should be cleaned regularly otherwise it may cause fire.
- The refrigerator may move when the adjustable feet is not positioned firmly on the floor. Using the adjustable feet you can unsure that the refrigerator is positioned firmly on the floor.
- If the refrigerator has door handle do not pull the refrigerator via door handles when moving the product as it may disconnect the handle from the refrigerator.
- If you must operate your appliance adjacent to another refrigerator or freezer, the distance between the appliances must be at least 8 cm. Otherwise condensation may occur on the side walls facing each other.
- Water mains pressure must not be below 1 bar. Water mains pressure must not be above 8 bars.
- Use only drinkable potable water.

Child safety

- If the door has a lock, the key should be kept away from reach of children.
- Children should be supervised to ensure that they do not play with the appliance

HCA Warning

If your product is equipped with a cooling system that contains R600a:

This gas is flammable. Therefore, pay attention to not damaging the cooling system and piping during usage and transportation. In the event of damage, keep your product away from potential fire sources that can cause the product catch a fire and ventilate the room in which the unit is placed.

Ignore the warning if your product is equipped with a cooling system that contains R134a.

You can see the gas used in production of your product on the rating plate that is located on the left inner part of it.

Never dispose the product in fire.

Things to be done for energy saving

- Do not leave the doors of your refrigerator open for a long time.
- Do not put hot food or drinks in your refrigerator.
- Do not overload your refrigerator so that the air circulation inside of it is not prevented.
- Do not install your refrigerator under direct sunlight or near heat emitting appliances such as ovens, dishwashers or radiators.
- Pay attention to keep your food in closed containers.
- Maximum amount of food can be put in your refrigerator's freezer compartment when the freezer compartment shelf or drawer is removed. Declared energy consumption value of your refrigerator was determined when the freezer compartment shelf or drawer was removed and under maximum amount of food load. There is no risk in using a shelf or drawer according to the shapes and sizes of the foods to be frozen.

3 Installation

- i** Please remember that the manufacturer shall not be held liable if the information given in the instruction manual is not observed.

Points to be considered when re-transporting your refrigerator

1. Your refrigerator must be emptied and cleaned prior to any transportation.
2. Shelves, accessories, crisper and etc. in your refrigerator must be fastened securely by adhesive tape against any jolt before repackaging.
3. Packaging must be tied with thick tapes and strong ropes and the rules of transportation printed on the package must be followed.

i Always remember...

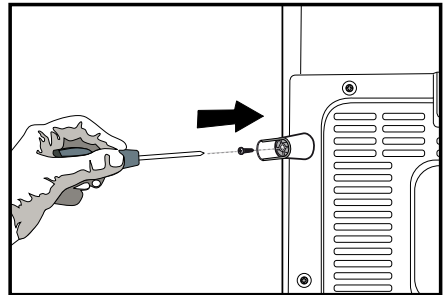
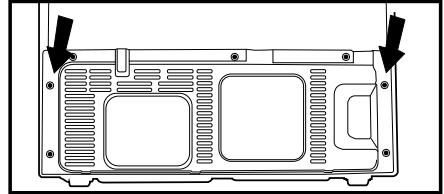
Every recycled material is an indispensable source for the nature and for our national resources. If you wish to contribute to recycling the packaging materials, you can get further information from the environmental bodies or local authorities.

Before operating your refrigerator

Before starting to use your refrigerator check the following:

1. Is the interior of the refrigerator dry and can the air circulate freely in the rear of it?
2. Insert the 2 plastic wedges onto the rear ventilation cover as illustrated in the following figure. To do this, remove the screws on the product

and use the screws given in the same pouch. Plastic wedges will provide the required distance between your refrigerator and the wall in order to allow the air circulation.



3. Clean the interior of the refrigerator as recommended in the “Maintenance and cleaning” section.
4. Plug the refrigerator into the wall outlet. When the door is open the respective interior light will come on.
5. You will hear a noise as the compressor starts up. The liquid and gases sealed within the refrigeration system may also give rise to noise, even if the compressor is not running and this is quite normal.
6. Front edges of the refrigerator may feel warm. This is normal. These areas are designed to be warm to avoid condensation.

Electric connection

Connect your refrigerator to a grounded socket which is being protected by a fuse with the appropriate capacity.

Important:

- ⚠ The connection must be in compliance with national regulations.
- ⚠ The power cable plug must be easily accessible after installation.
- ⚠ Voltage and allowable fuse protection are specified in the “Technical Specifications” section.
- ⚠ The specified voltage must be equal to your mains voltage.
- ⚠ Extension cables and multiway plugs must not be used for connection.
- ⚠ A damaged power cable must be replaced by a qualified electrician.
- ⚠ The appliance must not be operated before it is repaired! There is danger of electric shock!

Disposing of the packaging

⚠ The packing materials may be dangerous for children. Keep the packing materials out of the reach of children or dispose them of by classifying them in accordance with the waste instructions. Do not dispose them of along with the normal household waste.

The packing of your refrigerator is produced from recyclable materials.

Disposing of your old refrigerator

Dispose of your old machine without giving any harm to the environment.

- ⚠ You may consult your authorized dealer or waste collection center of your municipality about the disposal of your refrigerator.
- ⚠ Before disposing of your refrigerator, cut out the electric plug and, if there are any locks on the door, make them inoperable in order to protect children against any danger.

Placing and Installation

⚠ Caution: Never plug the refrigerator into the wall outlet during installation. Otherwise, risk of death or serious injury may arise.

⚠ If the entrance door of the room where the refrigerator will be installed is not wide enough for the refrigerator to pass through, than call the authorised service to have them remove the doors of your refrigerator and pass it sideways through the door.

1. Install your refrigerator to a place that allows ease of use.
2. Keep your refrigerator away from heat sources, humid places and direct sunlight.

3. There must be appropriate air ventilation around your refrigerator in order to achieve an efficient operation. If the refrigerator is to be placed in a recess in the wall, there must be at least 5 cm distance with the ceiling and at least 5 cm with the wall.

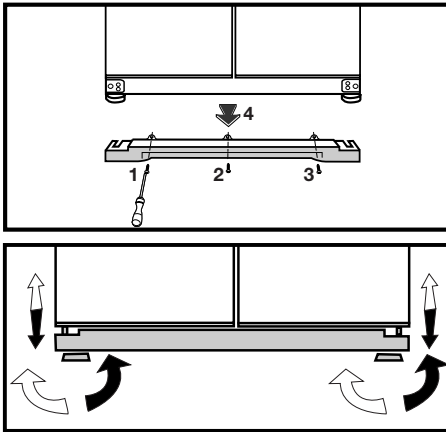
If the floor is covered with a carpet, your product must be elevated 2.5 cm from the floor.

- Place your refrigerator on an even floor surface to prevent jolts.
- Do not keep your refrigerator in ambient temperatures under 10°C.

Floor balance adjustment

⚠ If your refrigerator is unbalanced; B First unplug the product. The product must be unplugged when making the balance adjustment. There is the risk of electric shock.

1- Ventilation cover is removed by unscrewing its screws as illustrated in the figure before the procedure. You can balance your refrigerator by turning the front legs of it as illustrated in the figure. The corner where the leg exists is lowered when you turn in the direction of black arrow and raised when you turn in the opposite direction. Taking help from someone to slightly lift the refrigerator will facilitate this process.



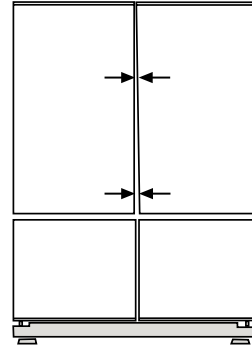
2. After the balance issue is remedied, install back the ventilation cover and fasten the screws.

- Remove the screws fastening the lower ventilation cover using a Philips screwdriver.

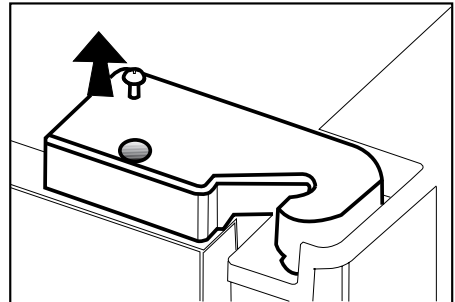
Adjusting the gap between the upper door

i You can adjust the gap between the fridge compartment doors as illustrated in the figures.

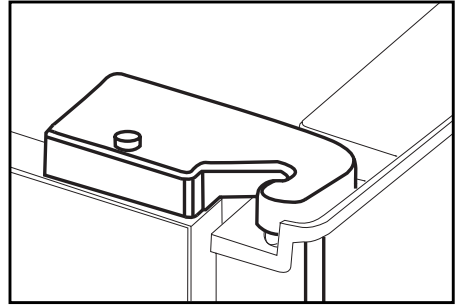
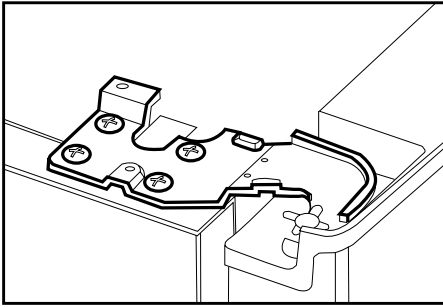
Door shelves should be empty when adjusting the door height.



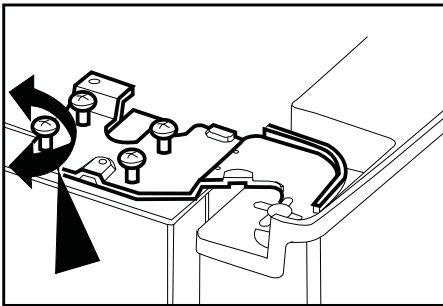
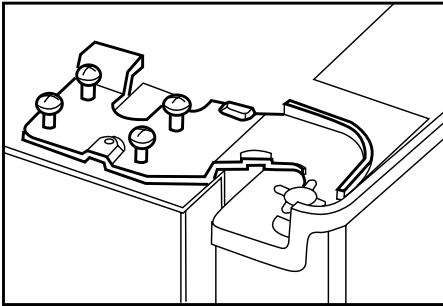
i Using a screwdriver, remove the screw of upper hinge cover of the door you want to adjust.



i Adjust the door appropriately as you desire by loosening the screws.



i Fix the door without changing the position of the door you have adjusted by tightening the screws.



i Replace the hinge cover and fix with the screw.

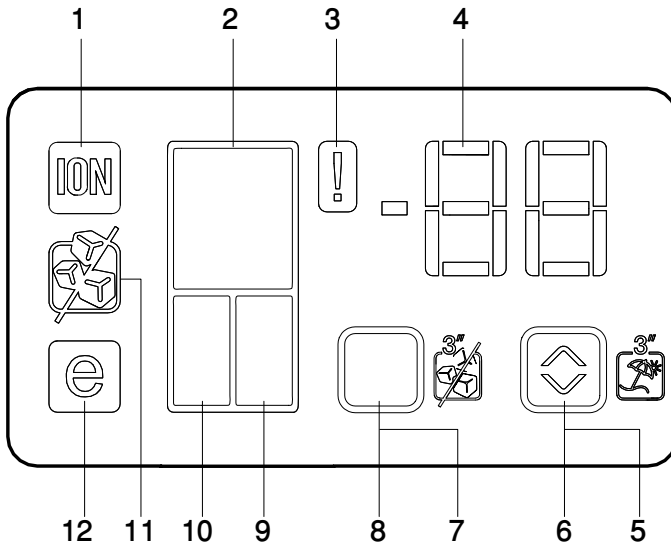
4 Preparation

- i** Your refrigerator should be installed at least 30 cm away from heat sources such as hobs, ovens, central heater and stoves and at least 5 cm away from electrical ovens and should not be located under direct sunlight.
- i** The ambient temperature of the room where you install your refrigerator should at least be 10°C. Operating your refrigerator under cooler conditions than this is not recommended with regard to its efficiency.
- i** Please make sure that the interior of your refrigerator is cleaned thoroughly.
- i** If two refrigerators are to be installed side by side, there should be at least 2 cm distance between them.
- i** When you operate your refrigerator for the first time, please observe the following instructions during the initial six hours.
 - The door should not be opened frequently.
 - It must be operated empty without any food in it.
 - Do not unplug your refrigerator. If a power failure occurs out of your control, please see the warnings in the “Recommended solutions for the problems” section.
- i** Original packaging and foam materials should be kept for future transportations or moving.

5 Using your refrigerator

Indicator Panel

Indicator panel aids in using your refrigerator with its audio and visual functions.



- | | |
|---------------------------------|--|
| 1. Ioniser Indicator | 7. Ice Cancel Button |
| 2. Fridge Compartment Indicator | 8. Fridge Compartment Selection Button |
| 3. Error Status Indicator | 9. Multizone Compartment Indicator |
| 4. Temperature Indicator | 10. Freezer Compartment Indicator |
| 5. Eco Extra/Vacation Button | 11. Ice Off indicator |
| 6. Temperature Setting Button | 12. Economy Mode Indicator |

1. Ioniser Indicator

Indicator light lights up continuously. This light indicates that your refrigerator is protected against the bacteria.

2. Fridge Compartment Indicator

Fridge compartment light illuminates when adjusting the fridge compartment temperature.

3. Error Status Indicator

If your refrigerator does not cool adequately or if there is a sensor failure, this indicator will be activated. When this indicator is active, Freezer Compartment Temperature indicator will display "e" and Fridge Compartment Temperature Indicator will display numbers such as "1,2,3...". These numbers on the indicator provides information about the error to the service personnel.

4. Temperature Indicator

Indicates the temperatures of fridge, freezer multizone compartment.

5. Eco Extra/Vacation Button

Press this button briefly to activate the Eco Extra function. Press and hold this button for 3 sec. to activate the Vacation function. Press this button again to deactivate the selected function.

6. Temperature Setting Button

Changes the temperature of the relevant compartment between -24 °C and +8 °C.

7. Ice Cancel Button

Refrigerator stops ice production when you press selection button for 3 seconds.

8. Refrigerator Compartment Selection Button

Press Refrigerator Compartment Selection Button to switch between fridge, freezer and multizone compartments.

9. Multizone Compartment Indicator

Multizone compartment light illuminates when adjusting the multizone compartment temperature.

10. Freezer Compartment Indicator

Freezer compartment light illuminates when adjusting the freezer compartment temperature.

11. Ice Off indicator

This symbol appears on the display when Ice Off function is activated.

12. Economy Mode Indicator

Indicates that the refrigerator is running in energy-efficient mode. This indicator will be active if the Freezer Compartment temperature is set to -18 or the energy efficient cooling is being performed due to Eco-Extra function.

Door Open Alarm:

When the door of the fridge compartment remains open for 1 minute, an audible Door Open Alarm will be activated and heard. Just press any button on the indicator or close the open door to silence the alarm.

Dual cooling system:

Your refrigerator is equipped with two separate cooling systems to cool the fresh food compartment and freezer compartment. Thus, air in the fresh food compartment and freezer compartment do not get mixed. Thanks to these two separate cooling systems, cooling speed is much higher than other refrigerators. Odours in the compartments do not get mixed. Also additional power saving is provided since the defrosting is performed individually.


Freezer Compartment Adjustment	Fridge Compartment Adjustment	Explanations
-18°C	4°C	This is the normal recommended setting.
-20,-22 or -24°C	4°C	These settings are recommended when the ambient temperature exceeds 30°C.
Quick Freeze	4°C	Use when you wish to freeze your food in a short time. Your refrigerator will return to its previous mode when the process is over.
-18°C or colder	2°C	If you think that your fridge compartment is not cold enough because of the hot conditions or frequent opening and closing of the door.
-18°C or colder	Quick Fridge	You can use it when your fridge compartment is overloaded or if you wish to cool down your food rapidly. It is recommended that you activate quick fridge function 4-8 hours before placing the food.

Freezing fresh food

- It must be preferred to wrap or cover the food before placing them in the refrigerator.
 - Hot food must cool down to the room temperature before putting them in the refrigerator.
 - The foodstuff that you want to freeze must be fresh and in good quality.
 - Foodstuff must be divided into portions according to the family's daily or meal based consumption needs.
 - The foodstuff must be packaged in an airtight manner to prevent them from drying even if they are going to be kept for a short time.
 - Materials to be used for packaging must be tear-proof and resistant to cold, humidity, odor, oils and acids and they must also be airtight. Moreover, they must be well closed and they must be made from easy-to-use materials that are suitable for deep freeze usage.
- Food to be frozen must be put in the freezer compartment. (They should not be allowed to come in contact with the previously frozen items to prevent their partial thawing. Freezing capacity of our product is given in the technical specifications of your refrigerator.)
 - Periods given in the information about deep freeze must be obeyed for storage times.
 - Frozen food must be used immediately after they are thawed and they should never be re-frozen.
 - Please observe the following instructions to obtain the best results.
 1. Do not freeze too large quantities of food at one time. The quality of the food is best preserved when it is frozen right through to the core as quickly as possible.
 2. Placing warm food into the freezer compartment causes the cooling system to operate continuously until the food is frozen solid.

3. Take special care not to mix already frozen food and fresh food.

Recommendations for preservation of frozen food

- Prepacked commercially frozen food should be stored in accordance with the frozen food manufacturer's instructions for a  (4 star) frozen food storage compartment.
- To ensure that the high quality achieved by the frozen food manufacturer and the food retailer is maintained, the following should be remembered:
 1. Put packages in the freezer as quickly as possible after purchase.
 2. Ensure that contents are labeled and dated.
 3. Do not exceed "Use By", "Best Before" dates on the packaging.

Defrosting

The freezer compartment defrosts automatically.

Placing the food

Freezer compartment shelves	Various frozen food such as meat, fish, ice cream, vegetables and etc.
Egg tray	Egg
Fridge compartment shelves	Food in pans, covered plates and closed containers
Fridge compartment door shelves	Small and packaged food or drinks (such as milk, fruit juice and beer)
Crisper	Vegetables and fruits
Freshzone compartment	Delicatessen products (cheese, butter, salami and etc.)

Deep-freeze information

Food must be frozen as rapidly as possible when they are put in a refrigerator in order to keep them in good quality.

The TSE norm requires (according to certain measurement conditions) the refrigerator to freeze at least 4.5 kg of foodstuff at 32°C ambient temperature to -18°C or lower within 24 hours for every 100-liters of freezer volume.

It is possible to keep the food for a long time only at -18°C or lower temperatures.

You can keep the freshness of food for many months (at -18°C or lower temperatures in the deep freeze).

WARNING! ⚠️

- Foodstuff must be divided into portions according to the family's daily or meal based consumption needs.
- Foodstuff must be packaged in an airtight manner to prevent them from drying even if they are going to be kept for a short time.

Materials necessary for packaging:

- Cold resistant adhesive tape
- Self adhesive label
- Rubber rings
- Pen

Materials to be used for packaging the foodstuff must be tear-proof and resistant to cold, humidity, odor, oils and acids.

Foodstuff to be frozen should not be allowed to come in contact with the previously frozen items to prevent their partial thawing.

Frozen food must be used immediately after they are thawed and they should never be re-frozen.

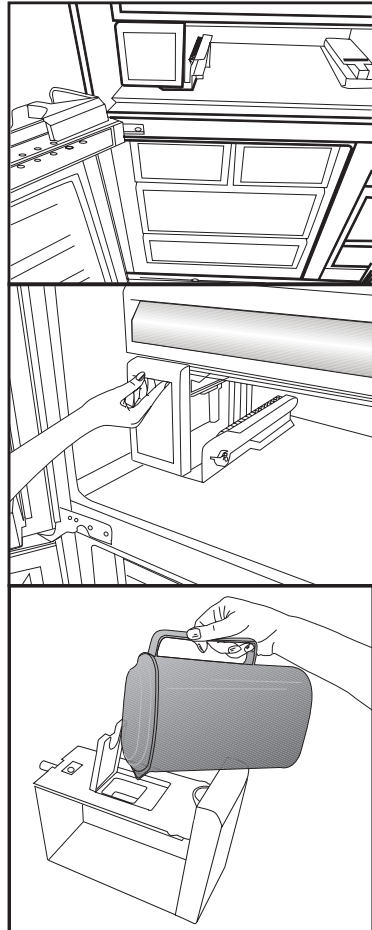
Egg tray

You can install the egg holder to the desired door or body shelf.

Never store the egg holder in the freezer compartment

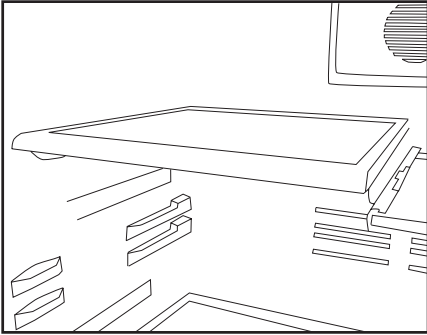
Auto Icematic

Auto Icematic system allows you to obtain ice from your refrigerator easily. remove the water tank in the fridge compartment, fill it with water and install it back to obtain ice from the icematic. First ice will be ready in 2 hours in the ice drawer located in the freezer compartment. You can obtain 70 ice cubes if the water tank is completely full. Change the water in the water tank if it remains in the water tank for more than 2-3 weeks.



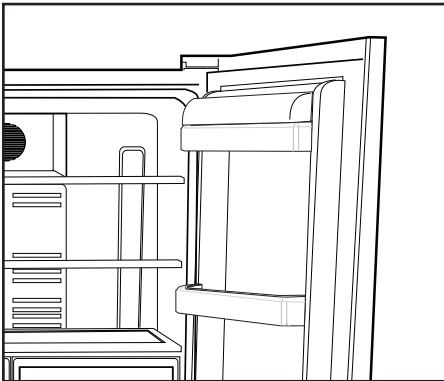
Sliding Body Shelves With Rear Hangers

Sliding body shelves with rear hangers can be moved back and forth. Height of these shelves can be adjusted by removing and then installing them to upper or lower positions. Raise the shelf up slightly and pull towards yourself to remove it.



Butter & Cheese Section

You can store food such as butter, cheese, and margarine in this section which has a lid.

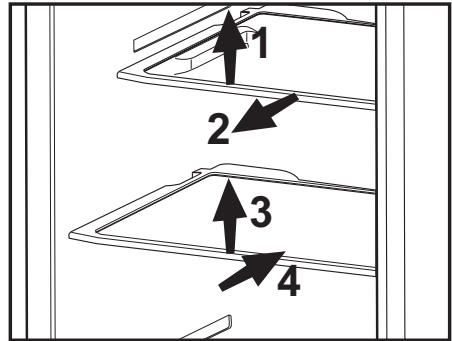


Sliding Body Shelves

Sliding body shelves can be pulled by slightly lifting up from the front and moved back and forth. They come to a stop point when pulled towards front to allow you reach the foods placed at the back of the shelf; when it is pulled after slightly lifted upwards at the second stop point, the body shelf will be released.

The shelf should be hold tightly from the bottom as well in order to prevent it from tipping over. The body shelf is placed on the rails at the sides of the refrigerator body by bringing it to one lower or one upper level.

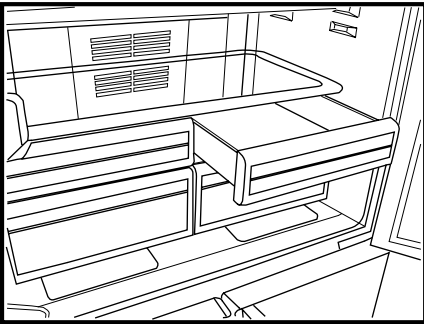
The body shelf should be pushed backwards to seat it completely.



Chiller compartment

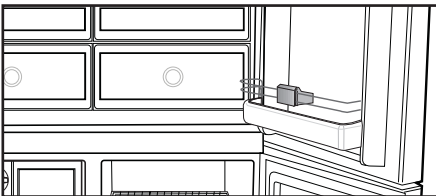
Chiller compartments enable the foods to be frozen become ready for freezing. You can also use these compartments to store your food at a temperature a few degrees below the fridge compartment.

You can increase the inner volume of your refrigerator by removing any of the chiller compartments. To do this, pull the compartment towards yourself; the compartment will lean against the stopper and stop. This compartment will be released when you lift it about 1 cm and pull it towards yourself.



Blue light (in some models)

Foodstuff stored in the crispers that are enlightened with a blue light continue their photosynthesis by means of the wavelength effect of blue light and thus, preserve their freshness and increase their vitamin content.



Movable Middle Section

Movable middle section is intended to prevent the cold air inside your refrigerator from escaping outside.

1- Sealing is provided when the gaskets on the door presses on the surface of the movable middle section while the fridge compartment doors are closed.

2- Another reason that your refrigerator is equipped with a movable middle section is that it increases the net volume of the fridge compartment.

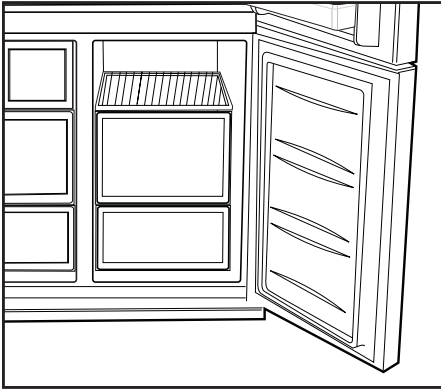
Standard middle sections occupy some non-usable volume in the refrigerator.

3- Movable middle section is closed when the left door of the fridge compartment is closed.

4- It must not be opened manually. It moves under the guidance of the plastic part on the body while the door is closed.

Multi Zone Storage Compartment

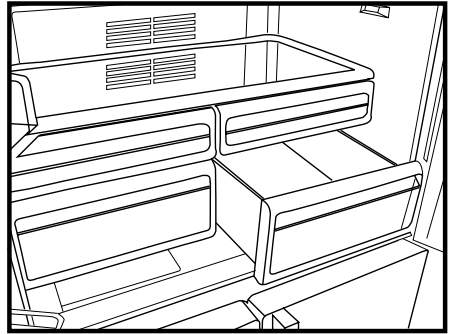
The Multi Zone Storage Compartment of your refrigerator may be used in any desired mode by adjusting it to cooler or freezer temperatures. You can keep the compartment in the desired temperature with the "Multi Zone Compartment Temperature Setting Button". The temperature of the Multi Zone Compartment may be set to 0 and 10 degrees as to be different from the fridge compartment and to -6 degrees as to be different from the freezer compartment. 0 degree is used to store the deli products longer, and -6 degrees is used to keep the meats up to 2 weeks in an easily cuttable condition.



Crisper

Crisper of your refrigerator is designed specially to keep your vegetables freshly without losing their humidity. For this purpose, cool air circulation occurs around the crisper in general. Remove the door shelves that align with the crisper before removing the crispers. You can remove the crispers as illustrated in the figure.

i The feature of switching to a Fridge or Freezer compartment is provided by a cooling element located in the closed section (Compressor Compartment) behind the refrigerator. During operation of this element, sounds similar to the sound of seconds heard from an analog clock may be heard. This is normal and is not fault cause.



6 Cleaning and care

- ⚠ Never use gasoline, benzene or similar substances for cleaning purposes.
 - ⚠ We recommend that you unplug the appliance before cleaning.
 - ❗ Never use any sharp abrasive instrument, soap, household cleaner, detergent and wax polish for cleaning.
 - ❗ Use lukewarm water to clean the cabinet of your refrigerator and wipe it dry.
 - ❗ Use a damp cloth wrung out in a solution of one teaspoon of bicarbonate of soda to one pint of water to clean the interior and wipe it dry.
 - ⚠ Make sure that no water enters the lamp housing and other electrical items.
 - ⚠ If your refrigerator is not going to be used for a long period of time, unplug the power cable, remove all food, clean it and leave the door ajar.
 - ❗ Check door seals regularly to ensure they are clean and free from food particles.
 - ⚠ To remove door racks, remove all the contents and then simply push the door rack upwards from the base.
 - ❗ Materials that may cause odor are not used in the production of our refrigerators. However, due to inappropriate food preserving conditions and not cleaning the inner surface of the refrigerator as required can bring forth the problem of odor.
- Points to be taken into consideration to prevent this problem are as follows:

- ❗ Keeping the products clean is important. For this, refrigerators must be cleaned with carbonated water in every 15 days. (Detergents and soap must never be used.) Food residuals, stains, etc. can cause odor.
- ❗ Foods must be kept in closed containers. Microorganisms spreading out from uncovered containers can cause unpleasant odors.
- ❗ Foods that have expired best before dates and spoiled foods should never be kept in the refrigerator.

Depending on the usage condition, you may apply the following in case of odor formation in your refrigerator.

- ❗ Tea is one of the best deodorants. Open hydroxyl (OH) ends of Catechin substance molecules in the tea hold the odor creating volatile organics to remove unpleasant odors.
- ❗ Put the pulp of the tea you prepared in your refrigerator in an uncovered container and keep it there for maximum 12 hours. If you leave it in the refrigerator for more than 12 hours, it may become the source of the odor as it will collect the microorganisms that cause the odor; therefore, it must be thrown away.

Protection of plastic surfaces

- ❗ Do not put the liquid oils or oil-cooked meals in your refrigerator in unsealed containers as they damage the plastic surfaces of your refrigerator. In case of spilling or smearing oil on the plastic surfaces, clean and rinse the relevant part of the surface at once with warm water.

7 Recommended solutions for the problems

Please review this list before calling the service. It might save you time and money. This list includes frequent complaints that are not arising from defective workmanship or material usage. Some of the features described here may not exist in your product.

The refrigerator does not operate.
<ul style="list-style-type: none">• Is the refrigerator properly plugged in? Insert the plug to the wall socket.• Is the fuse of the socket which your refrigerator is connected to or the main fuse blown out? Check the fuse.
Condensation on the side wall of the fridge compartment (MULTIZONE, COOL CONTROL and FLEXI ZONE).
<ul style="list-style-type: none">• Very cold ambient conditions. Frequent opening and closing of the door. Highly humid ambient conditions. Storage of food containing liquid in open containers. Leaving the door ajar. Switching the thermostat to a colder degree.• Decreasing the time the door left open or using it less frequently.• Covering the food stored in open containers with a suitable material.• Wipe the condensation using a dry cloth and check if it persists.
Compressor is not running
<ul style="list-style-type: none">• Protective thermic of the compressor will blow out during sudden power failures or plug-out plug-ins as the refrigerant pressure in the cooling system of the refrigerator has not been balanced yet. Your refrigerator will start running approximately after 6 minutes. Please call the service if the refrigerator does not startup at the end of this period.• The fridge is in defrost cycle. This is normal for a full-automatically defrosting refrigerator. Defrosting cycle occurs periodically.• Your refrigerator is not plugged into the socket. Make sure that the plug is properly fit into the socket.• Are the temperature adjustments correctly made?• Power might be cut off.

The fridge is running frequently or for a long time.

- Your new product may be wider than the previous one. This is quite normal. Large refrigerators operate for a longer period of time.
- The ambient room temperature may be high. This is quite normal.
- The refrigerator might have been plugged in recently or might have been loaded with food. Cooling down of the refrigerator completely may last for a couple of hours longer.
- Large amounts of hot food might have been put in the refrigerator recently. Hot food causes longer running of the refrigerator until they reach the safe storage temperature.
- Doors might have been opened frequently or left ajar for a long time. The warm air that has entered into the refrigerator causes the refrigerator to run for longer periods. Open the doors less frequently.
- Freezer or fridge compartment door might have been left ajar. Check if the doors are tightly closed.
- The refrigerator is adjusted to a very low temperature. Adjust the refrigerator temperature to a warmer degree and wait until the temperature is achieved.
- Door seal of the fridge or freezer may be soiled, worn out, broken or not properly seated. Clean or replace the seal. Damaged/broken seal causes the refrigerator to run for a longer period of time in order to maintain the current temperature.

Freezer temperature is very low while the fridge temperature is sufficient.

- The freezer temperature is adjusted to a very low temperature. Adjust the freezer temperature to a warmer degree and check.

Fridge temperature is very low while the freezer temperature is sufficient.

- The fridge temperature might have been adjusted to a very low temperature. Adjust the fridge temperature to a warmer degree and check.

Food kept in the fridge compartment drawers are freezing.

- The fridge temperature might have been adjusted to a very low temperature. Adjust the fridge temperature to a warmer degree and check.

Temperature in the fridge or freezer is very high.

- The fridge temperature might have been adjusted to a very high degree. Fridge adjustment has an effect on the temperature of the freezer. Change the temperature of the fridge or freezer until the fridge or freezer temperature reaches to a sufficient level.
- Doors might have been opened frequently or left ajar for a long time; open them less frequently.
- Door might have been left ajar; close the door completely.
- Large amount of hot food might have been put in the refrigerator recently. Wait until the fridge or freezer reaches the desired temperature.
- The refrigerator might have been plugged in recently. Cooling down of the refrigerator completely takes time.

The operation noise increases when the refrigerator is running.
<ul style="list-style-type: none"> The operating performance of the refrigerator may change due to the changes in the ambient temperature. It is normal and not a fault.
Vibrations or noise.
<ul style="list-style-type: none"> The floor is not even or it is weak. The refrigerator rocks when moved slowly. Make sure that the floor is strong enough to carry the refrigerator, and level. The noise may be caused by the items put onto the refrigerator. Items on top of the refrigerator should be removed.
There are noises coming from the refrigerator like liquid spilling or spraying.
<ul style="list-style-type: none"> Liquid and gas flows happen in accordance with the operating principles of your refrigerator. It is normal and not a fault.
There is a noise like wind blowing.
<ul style="list-style-type: none"> Fans are used in order to cool the refrigerator. It is normal and not a fault.
Condensation on the inner walls of refrigerator.
<ul style="list-style-type: none"> Hot and humid weather increases icing and condensation. It is normal and not a fault. Doors might have been left ajar; make sure that the doors are closed fully. Doors might have been opened frequently or left ajar for a long time; open them less frequently.
Humidity occurs on the outside of the refrigerator or between the doors.
<ul style="list-style-type: none"> There might be humidity in the air; this is quite normal in humid weather. When the humidity is less, condensation will disappear. Slight condensation may occur between two doors particularly when the product is operated for the first time or its door is opened frequently in a highly humid or hot environment. This is not a fault. Condensation will disappear automatically.
Bad odor inside the refrigerator.
<ul style="list-style-type: none"> Inside of the refrigerator must be cleaned. Clean the inside of the refrigerator with a sponge, lukewarm water or carbonated water. Some containers or package materials might cause the smell. Use a different container or different brand packaging material.
The door is not closing.
<ul style="list-style-type: none"> Food packages may prevent the door's closing. Replace the packages that are obstructing the door. The refrigerator is not completely upright on the floor and rocking when slightly moved. Adjust the elevation screws. The floor is not level or strong. Make sure that the floor is level and capable to carry the refrigerator.
Crispers are stuck.
<ul style="list-style-type: none"> The food might be touching the ceiling of the drawer. Rearrange food in the drawer.

קרא מדריך זה, תחילה!

לקוח יקר,




אנו מקווים שמוצר זה, שיוצר במפעלים מודרניים ונבדק במסגרת ניהולי בקרת האיכות המחמירים ביותר, ישמש אותך ביעילות. לשם כך, מומלץ לקרוא בעיון רב את כל המדריך של המוצר לפני שתשתמש בו ולשמור אותו בהישג יד לעת הצורך.

מדריך זה

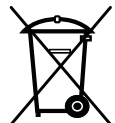
- יעזור לך להשתמש במכשיר באופן מהיר ובטוח.
- קרא את המדריך לפני התקנת המוצר והפעלתו.
- פעל בהתאם להוראות, במיוחד להוראות הבטיחות.
- החזק את המדריך במקום נגיש, ייתכן שתזדקק לו מאוחר יותר.
- יתרה מכך, קרא גם את המסמכים האחרים המצורפים למוצר.
- שים לב, מדריך זה עשוי להיות תקף גם לגבי דגמים אחרים.

הסמלים ותיאוריהם

מדריך הוראות זה מכיל את הסמלים הבאים:

- מידע חשוב או עצות שימוש יעילות. 
- אזהרה מפני מצבים המהווים סכנת חיים או סכנה לרכוש. 
- אזהרה מפני מתח חשמלי. 

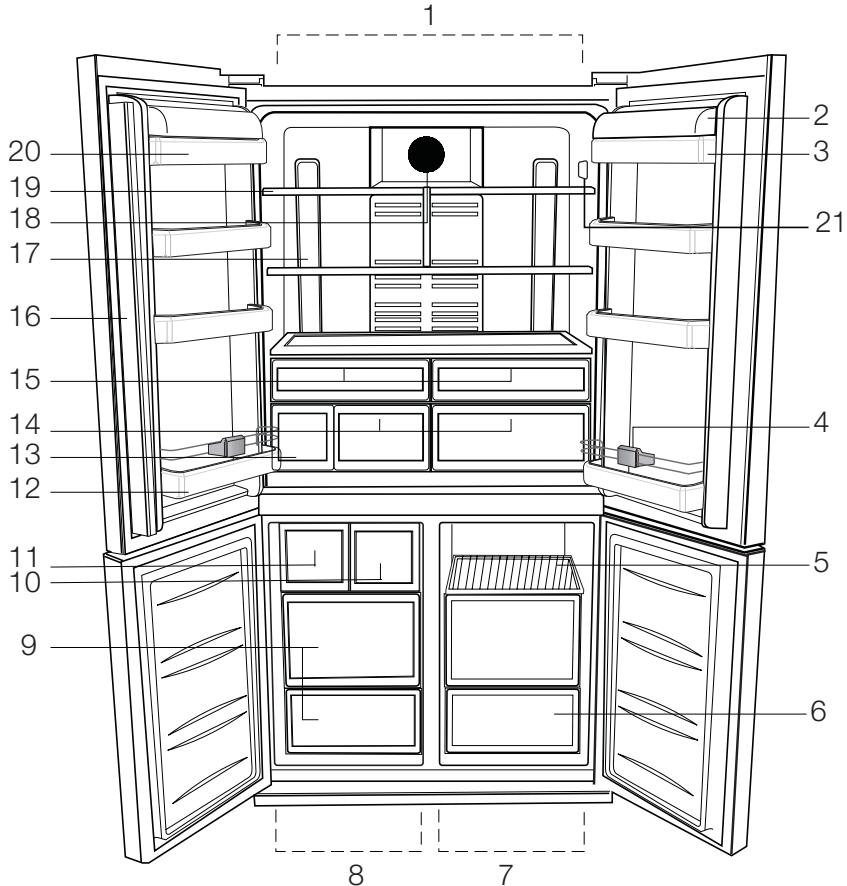
מיוזר



על מוצר זה מתנוסס סמל המיון הסלקטיבי לפסולת מכשירים חשמליים ואלקטרוניים (WEEE). כלומר, יש לטפל במוצר זה בהתאם להנחיה האירופית EC/2002/96, אשר לפיה יש למחזר או לפנות את המוצר, כך שהשפעתו על איכות הסביבה תהיה מזערית. לקבלת פרטים נוספים, פנה לרשויות המקומיות או האזוריות הקרובות לאזור מגריך.

מוצרי חשמל שאינם כלולים בתהליך המיון הסלקטיבי מהווים סכנה לאיכות הסביבה ולבריאות האדם, הואיל והם מכילים חומרים מסוכנים.

<p>12</p> <p>13.....</p> <p>13</p> <p>14.....</p> <p>14.....</p> <p>15.....</p> <p>16.....</p> <p>16.....</p> <p>16.....</p> <p>17.....</p> <p>18.....</p> <p>18.....</p> <p>18.....</p> <p>19.....</p> <p>19.....</p> <p>19.....</p> <p>19.....</p> <p>20.....</p> <p>21</p> <p>21.....</p> <p>22</p>	<p>4 הכנה</p> <p>לוח מחוונים.....</p> <p>5 אופן השימוש במקרר</p> <p>התראת דלת פתוחה:.....</p> <p>מערכת קירור כפולה:.....</p> <p>הקפאת מזון טרי.....</p> <p>המלצה לשימור מזון קפוא.....</p> <p>הנחת המזון.....</p> <p>פרטים על הקפאה עמוקה.....</p> <p>מגש ביצים.....</p> <p>הזזת מדפי גוף המקרר.....</p> <p>הזזת מדפי גוף המקרר בעזרת מתלים</p> <p>אחוריים.....</p> <p>מדף לחמאה ולגבינה.....</p> <p>חלק אמצעי נייד.....</p> <p>תא אחסון רב-תכליתי.....</p> <p>תא קירור באפס מעלות.....</p> <p>אור כחול.....</p> <p>(בחלק מהדגמים).....</p> <p>מגירת ירקות.....</p> <p>6 ניקוי וטיפול</p> <p>הגנה על משטחי פלסטיק.....</p> <p>7 פתרונות מומלצים לבעיות</p>	<p>1 המקרר</p> <p>2 אזהרות בטיחות חשובות</p> <p>4.....</p> <p>4.....</p> <p>6.....</p> <p>6.....</p> <p>7.....</p> <p>3 התקנה</p> <p>נקודות שיש לקחת בחשבון לפני הובלת</p> <p>המקרר מחדש.....</p> <p>8.....</p> <p>8.....</p> <p>9.....</p> <p>9.....</p> <p>9.....</p> <p>9.....</p> <p>9.....</p> <p>10.....</p> <p>10.....</p>
--	--	--



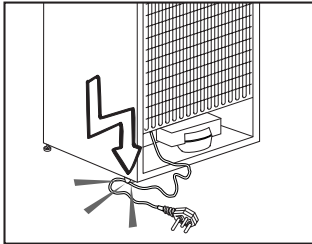
- | | |
|-------------------------------|----------------------------------|
| 11. מתקן קוביות קרח | 1. תא הקירור |
| 12. מדף לבקבוקים | 2. מכסה מדף החמאה והגבינה הצהובה |
| 13. מכל מים | 3. מדף לחמאה ולגבינה |
| 14. מגירת ירקות | 4. מתקן לאחסון בבקבוקים |
| 15. תא קירור באפס מעלות | 5. מדף תא אחסון מזון |
| 16. חלק אמצעי ניד | 6. תאי אחסון מזון |
| 17. עדשת התאורה הפנימית | 7. תא עם אזור רב-תכליתי |
| 18. מכסה המפזר | 8. תא ההקפאה |
| 19. מדפי הזכוכית של תא הקירור | 9. תאי אחסון למזון קפוא |
| 20. מדפי דלת תא הקירור | 10. תא מכת קור |
| 21. לוח מחוונים | |

ⓘ האיורים המופיעים במדריך הוראות זה הם איורים כלליים וייתכן שלא יתאימו בדיוק למוצר שברשותך. אם החלקים המוצגים במדריך אינם כלולים במוצר שרכשת, הם בוודאי תקפים לדגמים אחרים.

2 אזהרות בטיחות חשובות

- עיין במידע הבא. אם לא תפעל בהתאם להוראות, ייתכן שייגרם נזק גופני או נזק חומרי. אם לא תפעל בהתאם להוראות, ההתחייבות לאחריות ולאמינות לא תהיה תקפה.
- אורך חיי השימוש של היחידה שרכשת הוא 10 שנים. זהו פרק הזמן הנדרש לפעולת חלקי החילוף של היחידה כמתואר.
- **השימוש המיועד**
 - מכשיר זה נועד לשימוש ביתי ובסביבות דומות, כמו
 - מטבחי עובדים בחנויות, במשרדים ובסביבות עבודה אחרות;
 - בתים כפריים, וכן לשימוש על ידי אורחי בתי מלון, אכסניות וסביבות מגורים אחרות;
 - סביבות אירוח על בסיס לינה וארוחת בוקר;
 - שירותי הסעדה או יישומים דומים שאינם קמעונאיים.
 - אין להשתמש בו מחוץ לבית. אין זה מתאים להשתמש במקרר בחוץ, גם אם המקום מקורה.
- **בטיחות כללית**
 - אם ברצונך להיפטר מהמוצר או להשליך אותו לפסולת, מומלץ היוועץ בנציג שירות מורשה כדי לדעת איזה מידע דרוש ומיהם הגורמים המורשים.
 - היוועץ בנציג השירות המורשה לגבי כל השאלות והבעיות הקשורות למקרר. אין לבצע או לאפשר למישהו אחר לבצע פעולת התערבות במקרר מבלי להודיע לנציג שירות מורשה.
 - אין לאכול גלידה וקוביות קרח מייד לאחר הוצאתם מתא ההקפאה! (עלולות להיווצר בפיץ כוויות).
- אין להכניס לתא ההקפאה בקבוקי משקה או פחיות משקה. הם עלולים להתפוצץ.
- אין לגעת בידוך בידוך במזון קפוא; הוא עלול להידבק אליהן.
- אין להשתמש באדים או בחומרי ניקוי עם אדים בתהליכי הניקוי וההפשרה של המקרר. האדים עלולים לבוא במגע עם החלקים החשמליים ולגרום לקצר או להתחשמלות.
- * אין להשתמש בחלקים שונים של המקרר, כמו הדלת, כאמצעי תמיכה או כמדרגה.
- אין להשתמש במכשירים חשמליים בתוך המקרר.
- אין לגרום נזק למערכת הקירור באמצעות מכשירי קידוח או חיתוך בעת זרימת חומר הקירור. חומר הקירור, שעלול לדלוף כאשר נוצר נקר בצינורות הגז של המאייד, במאריך הצינור או במשטחי הציפוי, עלול לגרום לגירוי בעור ולפגיעה בעיניים.
- אין לכסות או לחסום בחומר כלשהו את פתחי האוורור שבמקרר.
- תיקונים למכשירים חשמליים יבצעו אך ורק אנשי מקצוע מוסמכים. תיקונים המתבצעים על ידי אנשים בלתי מוסמכים עלולים להעמיד את המשתמש בסכנה.
- במקרה של תקלה בחשמל או במהלך פעולות תחזוקה או תיקונים, נתק את המקרר מהחשמל על ידי כיבוי הנתוך המתאים או על ידי הוצאת כבל המקרר משקע החשמל.
- בעת הוצאת התקע מהשקע אין למשוך אותו מהכבל.

- אין לחבר את המקרר למערכות אלקטרוניות לחיסכון באנרגיה, מכיוון שחיבור זה עלול לגרום נזק למוצר.
- אם במקרר מותקנת נורה כחולה, אין להביט בה באמצעות מכשירים אופטיים.
- אם מקררים בשליטה ידנית נותקו ממערכת אספקת החשמל, יש להמתין 5 דקות עד לחיבורם מחדש למערכת.
- יש למסור מדריך זה למי שירכוש את המקרר במקרה של החלפת בעלות.
- בעת הזזת המקרר, יש לוודא שלא נגרם נזק לכבל החשמל. כדי למנוע שריפה, אין לסובב את כבל החשמל. אין להניח חפצים כבדים על כבל החשמל. כאשר מחברים את המקרר לחשמל, אין לאחוז את התקע בידיים רטובות.



- אין לחבר את המקרר לחשמל אם שקע החשמל רופף.
- אין להתזיז מים ישירות על החלקים החיצוניים או הפנימיים של המקרר מסיבות בטיחותיות.
- אין להתזיז חומרים דליקים, כמו גז פרופאן וכדומה, בקרבת המקרר עקב סכנת שריפה והתפוצצות.
- אין להניח חפצים מלאים במים מעל המקרר, שכן הם עלולים לגרום להתחשמלות או לשריפה.

- הנח את המשקאות צמודים זה לזה בצורה אנכית ודאג לרמת אטימות גבוהה יותר.
- אין לאחסן במכשיר חומרים נפיצים כמו תרסיסים עם חומר נפץ דליק.
- אין להשתמש בהתקנים מכניים או באמצעים אחרים שאינם מומלצים על ידי היצרן להאצת תהליך ההפשרה.
- מכשיר זה לא נועד לשימוש על ידי אנשים או ילדים בעלי יכולת פיזית ירודה או בעלי לקויות חישתיות או שכליות או חסרי ניסיון או ידע הולמים, אלא אם כן הם משתמשים במכשיר תחת השגחתו או לפי הוראתו של אדם האחראי לבטיחותם.
- אין להפעיל מקרר פגום. אם יש לך ספק, היוועץ בנציג השירות.
- בטיחות החשמל במקרר שברשותך תהיה מובטחת רק אם מערכת ההארקה בביתך תעמוד בתקנים הדרושים.
- חשיפת המוצר לגשם, שלג, שמש ורוח מסוכנת בכל הנוגע לבטיחות בחשמל.
- צור קשר עם נציג השירות המורשה אם נגרם נזק לכבל החשמל וכו', כך שלא תעמוד בפני סכנה.
- אין לחבר את המקרר לשקע החשמל במהלך ההתקנה. בפעולה זו קיימת סכנת חיים והיא עלולה לגרום לפציעה קשה.
- המקרר נועד אך ורק לאחסון מזון. אין להשתמש בו לכל מטרה אחרת.
- התווית שבה מופיע המפרט הטכני של המוצר נמצאת בחלק השמאלי האחורי של המקרר.

בטיחות ילדים

- אם יש מנעול על הדלת, יש להרחיק את המפתח מהישג ידם של ילדים.
- יש להשגיח על ילדים כדי לוודא שהם אינם משחקים במכשיר.

אזהרה מפני חומצת HCA

אם מותקנת במקרר מערכת קירור המכילה R600a:

- גזים אלה דליקים. לכן הקפד שלא לגרום נזק למערכת הקירור ולצנרת הקירור במהלך השימוש וההובלה. במקרה של גרימת נזק, יש להרחיק את המוצר ממקורות אש פוטנציאליים, שעלולים להביא להתלקחותו. כמו כן, יש לאוורר את החדר שבו מוצב המקרר.

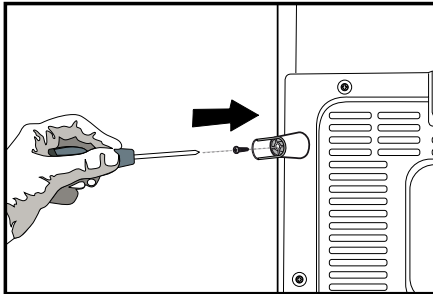
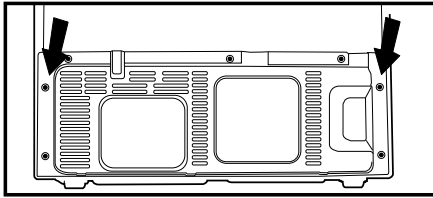
אם מותקנת במקרר מערכת קירור המכילה R134a, התעלם מהאזהרה.

- תוכל לראות את הגז המשמש לייצור המוצר שלך בתווית הנתונים הנמצאת בחלקו הפנימי משמאל. אין להשליך את המוצר לאש.

- אין להעמיס את המקרר במזון יתר על המידה. מזון עודף עלול ליפול בעת פתיחת הדלת ולגרום לפציעתך או לנזק למקרר. אין להניח חפצים מעל המקרר, מאחר שהם עלולים ליפול בעת פתיחתה או סגירתה של דלת המקרר.
- אין להחזיק במקרר חומרים אשר נדרשים להם תנאי טמפרטורה מסוימים, כמו תרכיבי חיסון, תרופות רגישות לטמפרטורה, חומרים מדעיים וכו'.
- אם אין כוונה להפעיל מקרר לפרק זמן ממושך, יש לנתק אותו מהחשמל. בעיה בבידוד כבל החשמל עלולה לגרום לשריפה.
- יש לנקות באופן סדיר את קצה תקע החשמל כדי למנוע שריפה.
- המקרר עלול לזוז אם הרגליות המתכווננות אינן עומדות בצורה יציבה על הרצפה. בעזרת הרגליות המתכווננות, תוכל לוודא שהמקרר מוצב בצורה יציבה על הרצפה.
- אם למקרר יש ידית, אין למשוך אותו מהידית בעת הזזתו, מאחר שהידית עלולה להתנתק מהמקרר.
- אם עליך להפעיל את המכשיר בסמוך למקרר או מקפיא אחרים, יהיה עליך לשמור על מרחק של לפחות 8 ס"מ בין המכשירים הסמוכים. מרחק קטן יותר עלול לגרום להתעבות על דפנות המכשירים הסמוכות זו לזו.
- אסור שלחץ המים בצינור הראשי יירד מתחת לבר אחד. אסור שלחץ המים בצינור הראשי יעלה על 8 ברים.
- השתמש אך ורק במים ראויים לשתיה.

פעולות לחיסכון באנרגיה

- אין להשאיר את דלתות המקרר פתוחות לזמן ממושך.
- אין להכניס למקרר מזון או משקאות חמים.
- אין להעמיס את המקרר יתר על המידה כדי לא להפריע בזרימת האוויר בתוכו.
- אין להציב את המקרר כשהוא חשוף לשמש ישירה או בקרבת מכשירים הפולטים חום, כמו תנורים, מדיחי כלים או רדיאטורים.
- הקפד לאחסן את המזון במיכלים סגורים.
- ניתן להגיע למילוי מרבי של תא המקפיא של המקרר אם מסירים את המדף או את המגירה שלו. ערך צריכת האנרגיה המוצהרת של המקרר נקבע כאשר המדף או המגירה של תא ההקפאה הוסרו וכשהוא מכיל כמות מרבית של מזון. אין כל סכנה אם משתמשים במדף או במגירה בהתאם לצורות ולגדלים של המזון שיש להקפיא.



① זכור שהיצרן לא יישא באחריות כלשהי אם לא תציית להוראות המופיעות במדריך זה.

נקודות שיש לקחת בחשבון לפני הובלת המקרר מחדש

1. יש לרוקן ולנקות את המקרר לפני ההובלה.
2. לפני האריזה, יש להדק למקומם במקרר את המדפים, האבזרים הנלווים, מגירת הירקות וכו' באמצעות סרט הדבקה למניעת טלטולים מיותרים.
3. יש להדק את האריזה באמצעות סרטים עבים וחבלים חזקים ולציית לכללי ההובלה המודפסים על האריזה.

① זכור תמיד...

- כל חומר ממוחזר הוא מקור הנחוץ לטבע ולמשאבים הלאומיים.
- אם ברצונך לתרום למיחזור חומרי האריזה, תוכל לקבל מידע נוסף מגורמי איכות הסביבה או מהרשות המקומית.

לפני הפעלת המקרר

- לפני שתתחיל להשתמש במקרר, בדוק את הנקודות הבאות:
1. האם פנים המקרר יבש והאוויר יכול לנוע בחופשיות בחלקו האחורי?
 2. הכנס את 2 טריזי הפלסטיק למכסה האוורור האחורי, כפי שמודגם באיור הבא. לשם כך, הסר את הברגים מהמוצר והשתמש בברגים שסופקו באותו נרתיק. טריזי פלסטיק יספקו את המרחק הדרוש בין המקרר לבין הקיר כדי לאפשר זרימת אוויר

3. נקה את פנים המקרר לפי ההמלצות המופיעות בפרק "תחזוקה וניקוי".
4. חבר את המקרר אל שקע החשמל. כאשר הדלת נפתחת נדלקת הנורה הפנימית המתאימה.
5. נשמע רעש כשהמדחס מתחיל לפעול. הנוזלים והגזים האטומים במערכת הקירור עשויים גם הם להשמיע רעש גם אם המדחס אינו פועל; זוהי תופעה רגילה.
6. ייתכן שהקצוות הקדמיים של המקרר יהיו חמים למגע. זוהי תופעה רגילה. אזורים אלה נועדו להיות חמים כדי למנוע התעבות.

חיבור לחשמל

חבר את המקרר לשקע מוארק המוגן על ידי נתיך בעל קיבולת הולמת.

חשוב:

⚠ על החיבור להתבצע בהתאם לתקנות הארציות.

⚠ על תקע כבל החשמל להיות נגיש בקלות לאחר ההתקנה.

⚠ המתח והנתיך המותר להגנה על המקרר מצוינים בסעיף "מפרטים טכניים".

⚠ על המתח המצוין להיות שווה למתח החשמל.

⚠ אין להשתמש בכבלים מאריכים וברבי שקעים לשם חיבור.

⚠ כבל חשמל פגום יוחלף על ידי חשמלאי מוסמך.

⚠ אין להשתמש במכשיר לפני שיתוקן! קיימת סכנת התחשמלות!

השלכת האריזה לאשפה

⚠ חומרי האריזה עלולים להיות מסוכנים לילדים. שמור את חומרי האריזה הרחק מהישג ידם של ילדים או השלך אותם על ידי סיווגם בהתאם להוראות בדבר פסולת. אין להשליך אותם ביחד עם פסולת ביתית רגילה. אריזת המקרר עשויה מחומרים מתמחזרים.

השלכת המקרר הישן לאשפה

השלך את המקרר הישן שלך מבלי לגרום נזק כלשהו לסביבה.

⚠ תוכל להיוועץ בסוכן המורשה שלך או לפנות למרכז לאיסוף אשפה בעירייה לגבי השלכת המקרר שלך לאשפה.

⚠ לפני השלכת המקרר לאשפה, הוצא את התקע משקע החשמל; אם קיימות נעילות כלשהן בדלת, נטרל אותן כדי להגן על ילדים מפני סכנה כלשהי.

הצבה והתקנה

⚠ זהירות: אין לחבר את המקרר לשקע החשמל במהלך ההתקנה. בפעולה זו קיימת סכנת חיים והיא עלולה לגרום לפציעה קשה.

⚠ אם דלת הכניסה לחדר המיועד להתקנת המקרר אינה רחבה במידה מספקת למעבר המקרר, פנה לנציג השירות המורשה כדי להסיר את דלתות המקרר ולהעביר את המקרר מהצד דרך הדלת

1. הצב את המקרר במקום נוח לשימוש.
2. הרחק את המקרר ממקורות חום, מקומות חמים ומקומות החשופים לשמש ישירה.
3. חייבת להיות זרימת אוויר מספקת סביב המקרר כדי שהמקרר יפעל ביעילות. אם המקרר אינו מוצב בגומחה בקיר, יש לשמור על מרחק של 5 ס"מ לפחות מהתקרה ו-5 ס"מ לפחות מהקיר.

אם על הרצפה פרוס שטיח, על המקרר להיות מוגבה מהרצפה ב-2.5 ס"מ.

4. הצב את המקרר על משטח רצפה מאוזן כדי למנוע זעזועים.

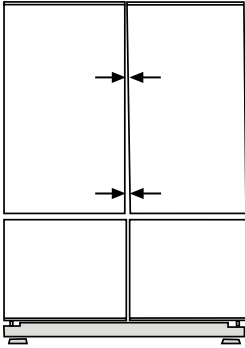
5. אין להציב את המקרר בחדר שבו הטמפרטורה נמוכה מ-10 מעלות צלזיוס.

כונן ייצוב ביחס לרצפה

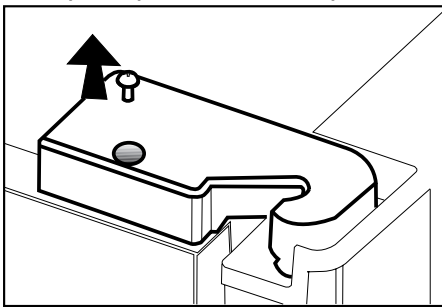
3. הסר את הברגים המהדקים את החלק התחתון של מכסה המאוורר בעזרת מברג פיליפס.

כונן הרווח בין הדלתות העליונות

1. ניתן לכונן את הרווח בין דלתות תא הקירור כפי שמודגם באיורים. בעת כונן גובה הדלת, על מדפי הדלת להיות ריקים.



1. הסר בעזרת מברג את הבורג של מכסה הציר העליון של הדלת שברצונך לכונן.

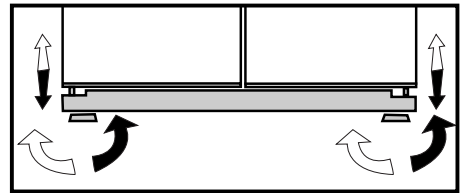
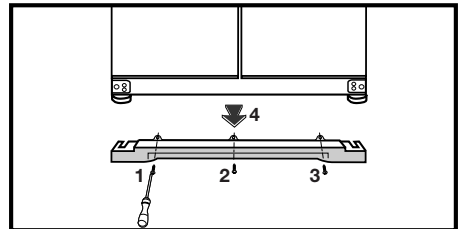


1. כונן את הדלת בצורה נכונה כרצונך על ידי שחרור קל של הברגים.

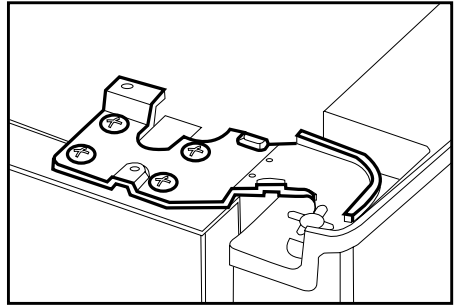
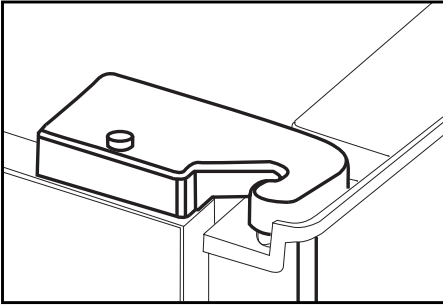
⚠ אם המקרר אינו מיוצב;

B ראשית, נתק את המוצר מהחשמל. יש לנתק את המוצר מהחשמל בעת כונן הייצוב. קיימת סכנת התחשמלות!

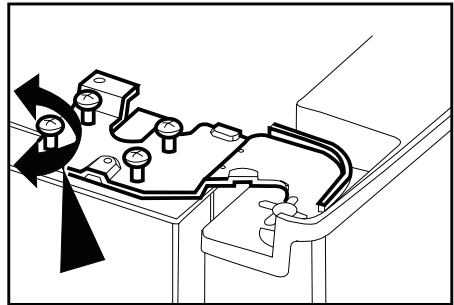
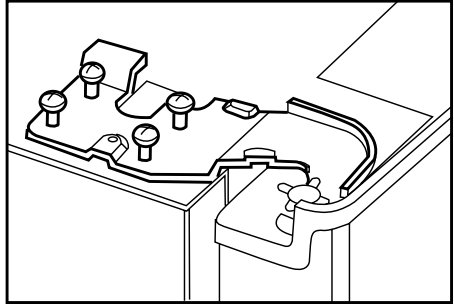
1. יש להסיר את מכסה המאוורר על ידי שחרור הברגים כפי שמודגם באיור לפני ביצוע הפעולה. ניתן לייצב אותו על ידי סיבוב הרגליות הקדמיות שלו כפי שמודגם באיור. הפינה שבה נמצאת הרגלית מונמכת כאשר מסובבים אותה בכיוון החץ השחור ומוגבהת כאשר מסובבים אותה בכיוון ההפוך. לשם כך, בקש ממישהו שיעזור לך להרים מעט את המקרר.



2. לאחר שהושג האיזון, החזר את מכסה המאוורר למקומו והדק את הברגים.



① קבע את הדלת על ידי הידוק הברגים בלי לשנות את מיקום הדלת שכווננת.



② החזר את מכסה הציר למקומו וקבע אותו בעזרת הבורג.

① יש להתקין את המקרר במרחק של לפחות 30 ס"מ ממקור חום, כמו כיריים, תנורים, חימום מרכזי ושל לפחות 5 ס"מ מתנורים חשמליים. כמו כן, אין להציבו כשהוא חשוף לשמש ישירה.

① טמפרטורת החדר שבו יותקן המקרר חייבת להיות לפחות 10 מעלות צלזיוס. לא מומלץ להפעיל את המקרר בטמפרטורה נמוכה יותר, שכן יעילות פעולתו עלולה להיפגע.

① ודא שפנים המקרר נוקה ביסודיות.

① אם מתקינים שני מקררים זה לצד זה, יש להקפיד על מרחק של לפחות 2 ס"מ ביניהם.

① בעת הפעלת המקרר בפעם הראשונה, יש לציית להוראות הבאות במהלך שש השעות הראשונות.

- אין לפתוח את הדלת לעתים קרובות.

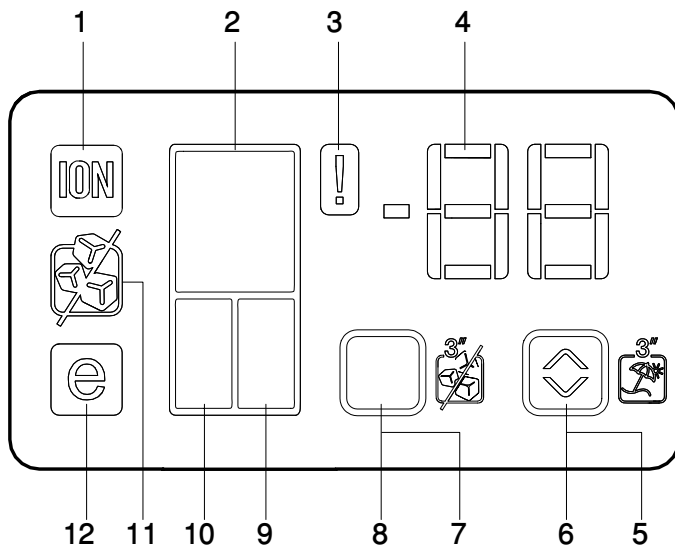
- המקרר חייב לפעול ריק ללא כל מזון בתוכו.

- אין לנתק את המקרר מהחשמל. אם אירעה תקלה בחשמל שאינה בשליטתך, קרא את האזהרות בסעיף "פתרונות מומלצים לבעיות".

① יש לשמור את האריזה המקורית ואת חומר הריפוד לשימוש עתידי במקרה של הובלה או מעבר דירה.

לוח מחוונים

לוח המחוונים מסייע להשתמש במקרר בעזרת פונקציות השמע והחוזי.



- | | |
|--|-------------------------------|
| 1. מחוון מיינן | 7. לחצן ביטול יצירת קרח |
| 2. מחוון תא הקירור | 8. לחצן בחירת תא הקירור |
| 3. מחוון מצב שגיאה | 9. מחוון תא עם אזור רב-תכליתי |
| 4. מחוון טמפרטורה | 10. מחוון תא הקפאה |
| 5. לחצן Eco Extra (חיסכון נוסף)/Vacation (חופשה) | 11. מחוון ללא קרח |
| 6. לחצן הגדרת הטמפרטורה | 12. מחוון מצב חיסכון |

3. מחוון מצב שגיאה

אם המקרר אינו מקרר במידה מספקת או קיימת תקלה בחיישן, מחוון זה יופעל. כאשר מחוון זה פעיל, במחון טמפרטורת תא ההקפאה תוצג האות "e" ובמחון טמפרטורת תא הקירור יוצגו מספרים כמו "1,2,3"... מספרים אלה במחון מספקים מידע על השגיאה לאנשי השירות.

1. מחוון מיינן

נורית המחון דלוקה ברציפות. נורית זו מציינת כי המקרר מוגן מפני חיידקים.

2. מחוון תא הקירור

נורת תא הקירור מאירה בעת כוונן טמפרטורת תא הקירור.

התראת דלת פתוחה:

כאשר דלת תא הקירור נשארת פתוחה במשך דקה אחת, יופעל ויישמע צליל התראת דלת פתוחה. לחץ על לחצן כלשהו במחונן או סגור את הדלת הפתוחה כדי להשתיק את צליל ההתראה.

מערכת קירור כפולה:

במקרה שתי מערכות קירור נפרדות לקירור תא המזון הטרי ותא ההקפאה. לכן האווירה בתא המזון הטרי אינו מתערבב עם האוויר שבתא ההקפאה. בזכות שתי מערכות הקירור הנפרדות, מהירות הקירור במקרה זה מהירה הרבה יותר מאשר במקרים אחרים. הריחות בתאים השונים אינם מתערבבים. כמו כן, נחסך חשמל, מאחר שההפשרה מתבצעת בנפרד.

4. מחונן טמפרטורה

מציין את הטמפרטורות שבתא הקירור, בתא ההקפאה ובתא עם האזור הרב-תכליתי.

5. לחצן Eco Extra (חיסכון נוסף)/ Vacation (חופשה)

לחץ על לחצן זה במהירות כדי להפעיל את פונקציית החיסכון הנוסף. לחץ על לחצן זה והחזק אותו לחוץ במשך 3 שניות כדי להפעיל את פונקציית החופשה. לחץ על לחצן זה שוב כדי לבטל את הפעלת הפונקציה שנבחרה.

6. לחצן הגדרת הטמפרטורה

משנה את טמפרטורת התא הרלוונטי בין $42^{\circ}\text{C} + 8^{\circ}$.

7. לחצן ביטול יצירת קרח

המקרר מפסיק את ייצור הקרח בעת לחיצה על לחצן הבחירה במשך 3 שניות.

8. לחצן בחירת תא הקירור

לחץ על לחצן בחירת תא הקירור כדי לעבור בין תא הקירור לתא ההקפאה ולתא עם האזור הרב-תכליתי.

9. מחונן תא עם אזור רב-תכליתי

נורת התא עם האזור הרב-תכליתי מאירה בעת כוונן טמפרטורת התא עם האזור הרב-תכליתי.

10. מחונן תא הקפאה

נורת תא המקפיא מאירה בעת כוונן טמפרטורת תא המקפיא.

11. מחונן ללא קרח

סמל זה מופיע בתצוגה כאשר מופעלת הפונקציה Ice Off (ללא קרח).

12. מחונן מצב חיסכון

מציין שהמקרר פועל במצב של יעילות בצריכת החשמל. מחונן זה יהיה פעיל אם טמפרטורת תא ההקפאה נקבעה ל-18 או שמבוצע קירור יעיל מבחינת צריכת החשמל בזכות פונקציית החיסכון הנוסף.

הסברים	כוונון תא הקירור	כוונון תא ההקפאה
זוהי ההמלצה המומלצת הרגילה.	4°C	-18°C
הגדרות אלה מומלצות כאשר טמפרטורת החדר עולה על 30 מעלות צלזיוס.	4°C	-24°C או -22,-20
השתמש בה אם ברצונך להקפיא את המזון תוך זמן קצר. המקרר יחזור למצבו הקודם עם תום התהליך.	4°C	הקפאה מהירה
אם נראה לך שתא הקירור אינו קר מספיק עקב תנאי החום או עקב פתיחות וסגירות תכופות של הדלת.	2°C	-18°C מעלות צלזיוס או קר יותר
ניתן להשתמש באפשרות זו כאשר תא הקירור עמוס יתר על המידה או אם ברצונך לקרר מזון במהירות. מומלץ להפעיל את פונקציית הקירור המהיר 4-8 שעות לפני הכנסת המזון למקרר.	קירור מהיר	-18°C מעלות צלזיוס או קר יותר

הקפאת מזון טרי

- יש להניח את המזון המיועד להקפאה בתא ההקפאה. (אין לאפשר למזון זה לבוא במגע עם פריטי מזון שכבר הוקפאו קודם לכן, וזאת כדי למנוע הפשרה חלקית. כושר ההקפאה של המקרר מופיע במפרטים הטכניים של המוצר).
- יש לציית ללוחות זמני האחסון המפורטים במדריך לגבי הקפאה עמוקה.
- יש להשתמש במזון קפוא מייד לאחר הפשרתו ואין להקפיאו שוב לאחר שהופשר.
- יש לציית להוראות הבאות לקבלת התוצאות הטובות ביותר:
 1. אין להקפיא כמויות מזון גדולות מדי בבת אחת. איכות המזון נשמרת בצורה הטובה ביותר כאשר הוא קופא במלואו במהירות האפשרית.
 2. הנחת מזון חם בתא ההקפאה תגרום למערכת הקירור לפעול ללא הפסקה עד לקפיאתו המוחלטת של המזון.
 3. הקפד במיוחד שלא לערבב מזון קפוא במזון טרי.
- יש להעדיף לעטוף או לכסות את המזון לפני הנחתו במקרר.
- יש להמתין להתקררותו של מזון חם לפני אחסונו במקרר.
- המזון שברצונך להקפיא חייב להיות טרי ובאיכות טובה.
- יש לחלק את המזון למנות בהתאם לצריכה היומית או הצריכה לארוחה של המשפחה.
- יש לארוז את המזון באריזה אטימה כדי למנוע את התייבשותו, גם אם הוא מאוחסן במקרר לזמן קצר.
- יש להשתמש בחומרי אריזה בלתי קריעים וחסיני קור, לחות, ריחות, שמן וחומצה. על חומרי האריזה גם להיות אטימים. כמו כן, עליהם להיות סגורים היטב ועשויים מחומרים נוחים לשימוש ומתאימים להקפאה עמוקה.

המלצה לשימור מזון קפוא

הנחת המזון

מדפי תא ההקפאה	מצרכי מזון שונים קפואים, כמו בשר, דגים, גלילות, ירקות וכו'.
מגש ביצים	ביצים
מדפי תא הקירור	מזון בסירים, צלחות מכוסות ומכלים סגורים
מדפי דלת תא הקירור	מזון או משקה ארוזים במנות קטנות (כמו חלב, מיץ פירות ובירה)
מגירת ירקות	ירקות ופירות
תא מוצרי חלב	מעדנים (גבינה צהובה, חמאה, נקניק וכו')

- יש לאחסן מזון ארוז מראש וקפוא בהתאם להוראות היצרן הכתובות על מזון קפוא לגבי תא אחסון של מזון קפוא *** (4) (כוכבים).
- כדי להבטיח שגם היצרן וגם הקמעונאי של המזון הקפוא ישמרו על איכות גבוהה, יש לזכור את הנקודות הבאות:
 - הנח את החבילות במקפיא מהר ככל האפשר לאחר הקנייה.
 - ודא שהתכולה מתייגת ורשום עליה תאריך.
 - אסור שהחבילות יעברו את "תאריך השימוש האחרון" ואת "תאריך התפוגה" הרשומים על החבילה.

הפשרה

תא ההקפאה יפשיר באופן אוטומטי

פרטים על הקפאה עמוקה

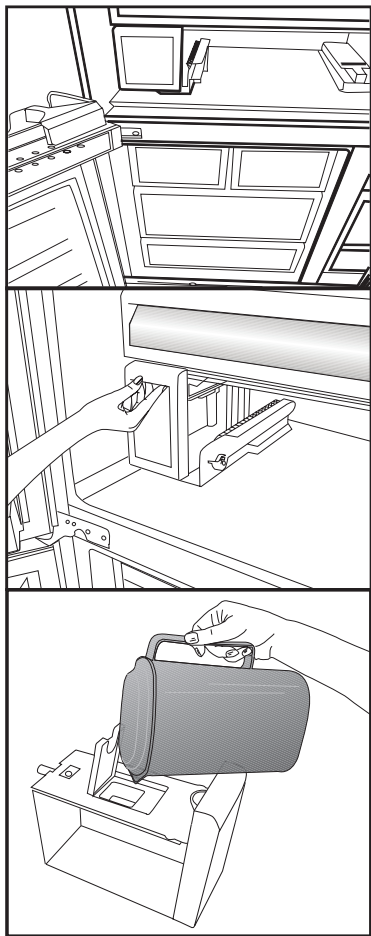
כדי לשמור על איכותו, יש להקפיא מזון במהירות האפשרית מייד עם הנחתו במקרר. לפי תקן TSE (בהתאם לתנאי מדידה מסוימים), על המקרר להקפיא לפחות 4.5 ק"ג של מצרכי מזון מטמפרטורת סביבה של 32 מעלות צלזיוס ל-18 מעלות צלזיוס או פחות תוך 24 שעות לכל 100 ליטר של נפח תא המקפיא.

אפשר לאחסן את המזון במקפיא לתקופה ממושכת רק אם הטמפרטורה בתא ההקפאה מגיעה ל-18 מעלות צלזיוס או פחות.

ניתן לשמור על טריות המזון למשך חודשים רבים (בטמפרטורה של 18 מעלות צלזיוס או פחות בהקפאה עמוקה).

מתקן אוטומטי ליצירת קוביות הקרח

המערכת ליצירה אוטומטית של קוביות קרח מאפשרת ליצור בקלות קרח מהמקרר. הסר את מכל המים הנמצא בתא הקירור, מלא אותו במים והתקן אותו בחזרה כדי לקבל קרח ממתקן קוביות הקרח. בתחילה, הקרח יהיה מוכן תוך שעתיים במגירת הקרח הממוקמת בתא ההקפאה. תוכל לקבל 70 קוביות קרח אם מכל המים מלא לחלוטין. החלף את המים שבמכל המים אם המים נמצאים במכל למעלה משבועיים עד 3 שבועות.



⚠ אזהרה:

- יש לחלק את המזון למנות בהתאם לצריכה היומית או הצריכה לארוחה של המשפחה.
- יש לארוז את המזון באריזה אטימה כדי למנוע את התייבשותו, גם אם הוא מאוחסן במקרר לזמן קצר.
- חומרי האריזה הנחוצים:
- סרט הדבקה עמיד בפני קור
- מדבקה
- גומיות
- עט
- יש להשתמש בחומרי אריזה בלתי קריעים וחסיני קור, לחות, ריחות, שמן וחומצה. (אין לאפשר למוצרי מזון המיועדים להקפאה לבוא במגע עם פריטי מזון שכבר הוקפאו קודם לכן, וזאת כדי למנוע הפשרה חלקית.
- יש להשתמש במזון קפוא מייד לאחר הפשרתו ואין להקפואו שוב לאחר שהופשר.

מגש ביצים

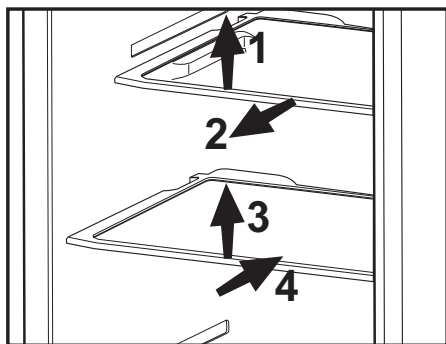
ניתן להתקין את המתקן לאחסון ביצים בדלת הרצויה במדף הרצוי בגוף המקרר. אין להתקין את המתקן לאחסון ביצים בתא ההקפאה.

הזזת מדפי גוף המקרר

את מדפי גוף המקרר ניתן למשוך על ידי הרמתם מעט מקדימה ולהזיזם קדימה ואחורה. הם מגיעים לנקודת עצירה כאשר מושכים אותם קדימה כדי לאפשר לך להגיע למזון המונח בחלקו האחורי של המדף; כאשר מושכים את המדף לאחור הרמה קלה בנקודת העצירה השנייה, מדף גוף המקרר ייצא ממקומו.

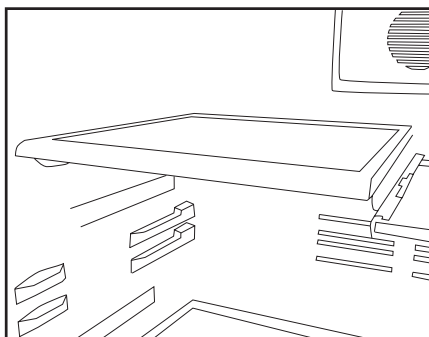
יש להחזיק את המדף היטב גם מתחתיתו כדי למנוע את התהפכותו. מדף גוף המקרר יוצב על המעקות שבצדי גוף המקרר על ידי הנמכתו או הגבהתו ברמה אחת.

יש לדחוף את מדף גוף המקרר כלפי חלקו האחורי של המקרר כדי שיתקבע במקומו לחלוטין.



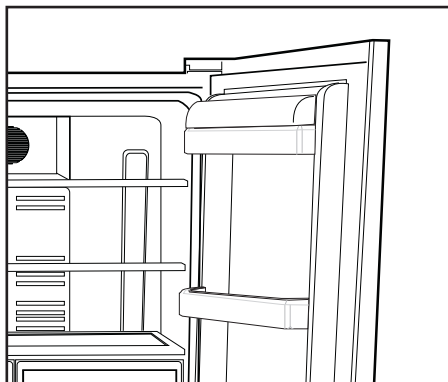
הזזת מדפי גוף המקרר בעזרת מתלים אחוריים

את מדפי גוף המקרר ניתן להזיז קדימה ואחורה בעזרת מתלים אחוריים. ניתן לכוונן את גובה המדפים האלה על ידי הסרתם והרכבתם שוב במקומות גבוהים או נמוכים יותר. הגבה את המדף מעט ומשוך אותו לעברך כדי להסירו.



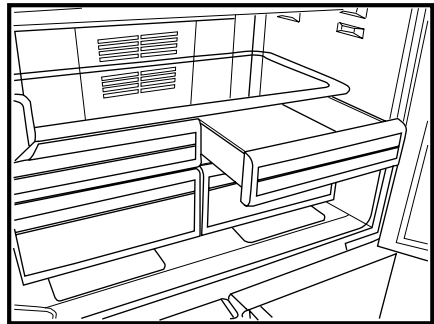
מדף לחמאה ולגבינה

ניתן לאחסן מזון כמו חמאה, גבינה צהובה ומרגרינה במדף זה שיש לו מכסה.



תא קירור באפס מעלות

תאי הקירור באפס מעלות מאפשרים למזון המיועד להקפאה להיות מוכן להקפאה. תוכל גם להשתמש בתאים אלה לאחסון המזון שלך בטמפרטורה של מספר מעלות מתחת לטמפרטורה של תא הקירור. תוכל להגדיל את הנפח הפנימי של המקרר שלך על ידי הסרת תאי הקירור באפס מעלות. לשם כך, משוך את התא לעברך; התא יישען על המגופה ויעצור. תא זה ישוחרר אם תרים אותו לגובה של כס"מ אחד ותמשוך אותו לעברך.



חלק אמצעי נייד

- החלק האמצעי הנייד נועד למנוע את בריחת האוויר הקר מתוך המקרר החוצה.
- 1 - מובטח איטום כאשר אוטמי הדלת לוחצים על המשטח של החלק האמצעי הנייד בזמן שדלתות תא הקירור סגורות.
 - 2 - סיבה נוספת לכך שהמקרר מצויד בחלק אמצעי נייד היא הגדלת נפח תא הקירור. חלקים אמצעיים רגילים תופסים במקרר נפח שלא ניתן לניצול.
 - 3 - החלק האמצעי הנייד סגור אם הדלת השמאלית של תא הקירור סגורה.
 - 4 - אין לפתוח אותו ידנית. הוא נע לפי תנועת החלק הפלסטי שבגוף המקרר בזמן שהדלת סגורה.

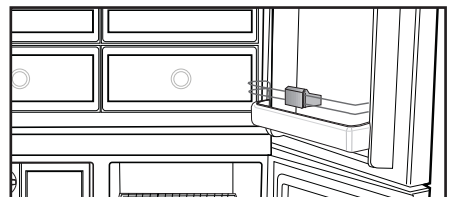
תא אחסון רב-תכליתי

בתא האחסון הרב-תכליתי שבמקרר ניתן להשתמש בכל מצב רצוי על ידי כווננו לטמפרטורות מקרר או מקפוא. תוכל לשמור את התא בטמפרטורה הרצויה באמצעות "לחצן הגדרת הטמפרטורה של תא האחסון הרב-תכליתי". את הטמפרטורה בתא הרב-תכליתי ניתן לקבוע ל-0 ול-10 מעלות כך שהיא תהיה שונה מזו של תא הקירור ול-6 מעלות כך שהיא תהיה שונה מזו של תא ההקפאה. 0 מעלות משמשות לאחסון מעדנים לפרק זמן ממושך יותר, ו-6 מעלות משמשות לשמירת סוגי בשר שונים עד שבועיים בתנאים שניתן לחתוך אותם בקלות.

אור כחול

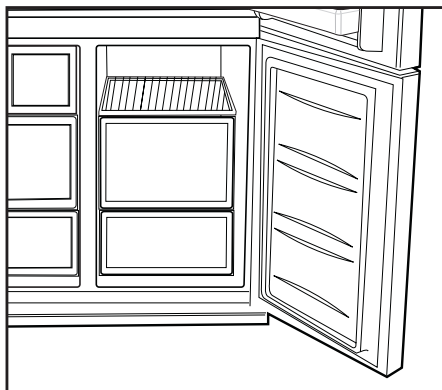
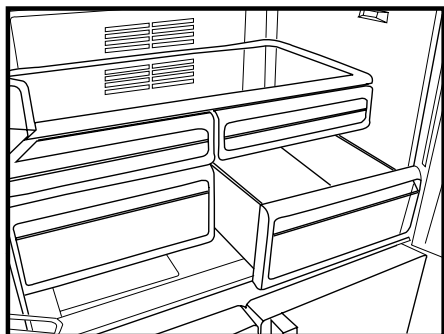
(בחלק מהדגמים)

מצרכי מזון המאוחסנים במגירת הירקות המוארת באור כחול ממשיכים את תהליך הפוטוסינתזה שלהם בהשפעת אורך הגל של הצבע הכחול ובאמצעותו הם שומרים על טריות ומגדילים את תכולת הוויטמינים שלהם.



מגירת ירקות

מגירת הירקות במקרר נועדה באופן מיוחד לשמור על הירקות טריים מבלי שיאבדו את הלחות שבהם. לשם כך, באופן כללי מתרחשת זרימת אוויר קר סביב מגירת הירקות. לפני הסרת מגירות הירקות, הסר את מדפי הדלת המיושרים לפי מגירות הירקות. ניתן להסיר את מגירות הירקות כפי שמודגם באיור.



④ תכונת המעבר לתא הקירור או לתא ההקפאה מובטחת באמצעות גוף הקירור הממוקם בחלק הסגור (תא המדחס) שמאחורי המקרר. במהלך הפעלת גוף זה, ניתן לשמוע צלילים הדומים לצליל השניות הנשמע בשעון אנלוגי. זוהי תופעה רגילה ולא מדובר בתקלה.

- Ⓜ חשוב לשמור על ניקיון המקררים. לשם כך, יש לנקות את המקרר במי סודה פעם ב-15 יום. (אין להשתמש בתכשירי ניקוי או בסבון). שאריות מזון, כתמים וכדומה עלולים לגרום ריחות.
- Ⓜ יש להחזיק מזון במכלים סגורים. חיידקים המתפשטים מתוך מכלים בלתי מכוסים עלולים לגרום לריחות לא נעימים.
- Ⓜ אין להחזיק במקרר מזון שעבר את תאריך התפוגה שלו ומזון מקולקל.
- בהתאם לתנאי השימוש, תוכל לבצע את הפעולות הבאות אם התהוו ריחות במקרר.
- Ⓜ תה הוא אחד המוצרים הטובים ביותר להפגת ריחות. קצוות הידרוקסיל (OH) פתוחים של מולקולות קטכינים בתה מחזיקים את הריחות הנוצרים על ידי חומרים אורגניים נדיפים לשם הסרת ריחות לא נעימים.
- Ⓜ הנח את התה הכתוש שהכנת במקרר במכל לא מכוסה והחזק אותו שם עד 12 שעות. אם תשאיר אותו במקרר מעל 12 שעות, הוא עלול להפוך למקור הריח, מאחר שהוא יקלוט חיידקים הגורמים לריח; לכן יש לזרוק אותו לפח.
- הגנה על משטחי פלסטיק**
- Ⓜ אין להניח במקרר שמן נוזלי או ארוחות שבושלו בשמן במיכלים בלתי אטומים, מכיוון שהם עלולים לגרום נזק למשטחי הפלסטיק שבמקרר. אם נשפך או נמרח שמן על משטחי הפלסטיק, נקה ושטוף מייד את החלק המתאים של המשטח במים.
- ⚠ אין להשתמש בבזזין, בבזון או בחומרים דומים למטרות ניקוי.
- ⚠ מומלץ לנתק את המקרר מהחשמל לפני הניקוי.
- Ⓜ אין להשתמש במכשירים חדים או בחומרי ניקוי הגורמים לשריטות, בסבון, בתכשירי ניקוי לבית, בחומרי ניקוי שונים ובחומרי הברקה עם שעווה.
- Ⓜ השתמש במים פושרים לניקוי החלק החיצוני של המקרר ונגב אותו.
- Ⓜ השתמש במטלית לחה וסחוטתה, שנטבלה בתמיסת סודה לשתיה ביחס של כפית אחת של סודה לכחצי ליטר מים, כדי לנקות את החלק הפנימי של המכשיר ולנגבו.
- ⚠ ודא שלא חודרים מים לתושבת הנורה ולפריטים חשמליים אחרים.
- ⚠ אם אין כוונה להשתמש במכשיר לתקופה ארוכה, כבה אותו, הסר ממנו את כל המזון, נקה אותו והשאר את הדלת פתוחה במקצת.
- Ⓜ בדוק בקביעות את אטמי הדלת כדי לוודא שהם נקיים ושלא נדבקו אליהם חלקיקי מזון.
- ⚠ להסרת מגש מהדלת, רוקן את תכולתו ודחוף את מגש הדלת כלפי מעלה מבסיסו.
- Ⓜ איננו משתמשים בחומרים שעלולים לגרום לריחות בייצור המקררים שלנו. אולם, עקב תנאי שימור מזון בלתי הולמים וכתוצאה מאי ניקוי המשטחים הפנימיים של המקרר כנדרש, עלולה להיווצר בעיה של ריחות. להלן נקודות שיש לקחת בחשבון למניעת בעיה זו:

שנן רשימה זו לפני שתקרא לנציג שירות. היא עשויה לחסוך לך זמן וכסף. רשימה זו כוללת תלונות נפוצות שאינן נובעות מפגמים בייצור המקרר או משימוש לקוי בחומרים. ייתכן שכמה מהתכונות המתוארות כאן לא יהיו קיימות במוצר שלך.

המקרר אינו פועל.
<ul style="list-style-type: none"> • האם המקרר מחובר לחשמל כראוי? הכנס את התקע לשקע החשמל. • האם הנת"ך של השקע שאליו מחובר המקרר או הנת"ך הראשי נשרפו? בדוק את הנת"ך.
התעבות בדופן הצדית של תא הקירור (אזור רב-תכליתי, בקרת קור ואזור גמיש).
<ul style="list-style-type: none"> • תנאי סביבה קרים מאוד. פתיחות וסגירות תכופות של הדלת. לחות גבוהה בסביבת החדר. • אחסון מזון המכיל נוזלים במכלים פתוחים. השארת הדלת פתוחה במקצת. כיוון התרמוסטט לדרגה קרה יותר. • קיצור הזמן שבו הדלת תישאר פתוחה או שימוש בדלת לעתים רחוקות יותר. • כיסוי המזון המאוחסן במכלים הפתוחים בחומר מתאים. • נגב את הלחות המתעבה בעזרת מטלית לחה ובדוק התופעה נמשכת.
המדחס אינו פועל
<ul style="list-style-type: none"> • מערכת ההגנה התרמית של המדחס תכבה במהלך תקלות פתאומיות בחשמל או כאשר מוציאים את שקע החשמל ומכניסים אותו חזרה למקומו, מאחר שלחץ חומרי הקירור במערכת הקירור של המקרר לא הספיקו להתאזן. המקרר יתחיל לפעול כעבור כ-6 דקות. • אם המקרר אינו מתחיל לפעול עם תום פרק זמן זה, קרא לנציג שירות. • המקרר נמצא במצב הפשרה. תופעה זו היא רגילה במקרר בעל יכולת הפשרה אוטומטית מלאה. מצב ההפשרה מתרחש מפעם לפעם. • המקרר אינו מחובר לחשמל. ודא שהתקע הוכנס כראוי לשקע. • האם התבצעו כוונני הטמפרטורה בצורה נכונה? • ייתכן שיש הפסקת חשמל.

המקרה פועל לעתים תכופות או לפרק זמן ממושך.	
<ul style="list-style-type: none"> • ייתכן שהמקרה החדש רחב יותר מהמקרה הקודם. זוהי תופעה רגילה. מקררים גדולים פועלים במשך תקופה ארוכה יותר. • טמפרטורת החדר עלולה להיות גבוהה. זוהי תופעה רגילה. • ייתכן שהמקרה חובר לאחרונה לחשמל או שהועמס בו מזון. קירור המקרה לחלוטין עשוי להימשך כשעתיים. • ייתכן שהונחו לאחרונה במקרה כמויות גדולות של מזון חם. מזון חם גורם להתארכות פעולת המקרה עד שהוא מגיע לטמפרטורת האחסון הבטוחה. • ייתכן שהדלתות נפתחות לעתים תכופות או שנשארו פתוחות מעט משך זמן רב. האוויר החם שנכנס למקרר גורם למקרר לפעול פרקי זמן ממושכים יותר. פתח את הדלתות לעתים רחוקות יותר. • ייתכן שדלת תא ההקפאה או דלת תא הקירור נשארו פתוחות מעט. בדוק אם הדלתות סגורות הרמטית. • המקרה מכוון לדרגת קור נמוכה מאוד. כוונן את טמפרטורת המקרה לדרגה גבוהה יותר והמתן עד שתושג הטמפרטורה הרצויה. • ייתכן שאטם דלת המקרה או דלת המקפיא מלוכלך, שחוק, קרוע או שזז ממקומו. נקה או החלף את האטם. אטם פגום/שבור גורם למקרר לפעול זמן ממושך יותר כדי לשמור על הטמפרטורה הנוכחית. 	
טמפרטורת המקפיא נמוכה מאוד ואילו טמפרטורת המקרה מספקת.	
<ul style="list-style-type: none"> • טמפרטורת המקפיא מכווננת לדרגת קור נמוכה מאוד. כוונן את טמפרטורת המקפיא לרמה גבוהה יותר ובדוק. 	
טמפרטורת המקרה נמוכה מאוד ואילו טמפרטורת המקפיא מספקת.	
<ul style="list-style-type: none"> • ייתכן שטמפרטורת המקרה מכווננת לדרגת קור נמוכה מאוד. כוונן את טמפרטורת המקרה לרמה גבוהה יותר ובדוק. 	
המזון המאוחסן במגירות תא הקירור קופא.	
<ul style="list-style-type: none"> • ייתכן שטמפרטורת המקרה מכווננת לדרגת קור נמוכה מאוד. כוונן את טמפרטורת המקרה לרמה גבוהה יותר ובדוק. 	
הטמפרטורה במקרה או במקפיא גבוהה מאוד.	
<ul style="list-style-type: none"> • ייתכן שטמפרטורת המקרה מכווננת לדרגת קור גבוהה מאוד. כוונן המקרה משפיע על טמפרטורת המקפיא. שנה את טמפרטורת המקרה או המקפיא עד שהיא תגיע לדרגה מספקת. • ייתכן שהדלתות נפתחות לעתים תכופות או שנשארו פתוחות מעט משך זמן רב. אל תפתח אותן לעתים קרובות. • ייתכן שהדלת נשארה פתוחה מעט; סגור אותה לחלוטין. • ייתכן שהונחה לאחרונה במקרה כמות גדולה של מזון חם. המתן עד שמהקרה או המקפיא יגיעו לטמפרטורה הרצויה. • ייתכן שהמקרה חובר לאחרונה לחשמל. קירור המקרה לחלוטין נמשך לאורך זמן. 	

רעש פעולת המקרר מוגבר כאשר המקרר פועל.
<ul style="list-style-type: none"> ביצועי הפעלת המקרר עשויים להשתנות עקב השינויים בטמפרטורת הסביבה. זוהי תופעה רגילה; אין כאן תקלה.
רטט או רעש
<ul style="list-style-type: none"> הרצפה אינה ישרה או שהיא חלשה. המקרר מתנענע כאשר מזיזים אותו לאט. ודא שהרצפה חזקה במידה מספקת המסוגלת לשאת את משקל המקרר; כמו כן, ודא שהיא ישרה. ייתכן שמקור הרעש הוא בפריטים המונחים על המקרר. יש להסיר חפצים המונחים על גג המקרר.
נשמעים רעשים, המגיעים מתוך המקרר, הדומים לשפיכת נוזלים או התזתם.
<ul style="list-style-type: none"> זרימת נוזלים וגז מתרחשת בהתאם לעקרונות ההפעלה של המקרר. זוהי תופעה רגילה; אין כאן תקלה.
נשמע רעש הדומה למשב רוח.
<ul style="list-style-type: none"> משתמשים במאווררים כדי לאפשר למקרר להתקרר. זוהי תופעה רגילה; אין כאן תקלה.
התעבות בדפנות הפנימיות של המקרר.
<ul style="list-style-type: none"> מזג אוויר חם ולח מגביר את הצטברות הקרח ואת ההתעבות. זוהי תופעה רגילה; אין כאן תקלה. ייתכן שהדלתות נשארו פתוחות מעט; ודא שהדלתות סגורות לחלוטין. ייתכן שהדלתות נפתחות לעתים תכופות או שנשארו פתוחות מעט משך זמן רב. אל תפתח אותן לעתים קרובות.
לחות מצטברת בחלקו החיצוני של המקרר או בין הדלתות.
<ul style="list-style-type: none"> ייתכן שקיימת לחות באוויר; זוהי תופעה די רגילה במזג אוויר לח. כאשר הלחות יורדת ההתעבות נעלמת. עלולה להיווצר מעט התעבות בין שתי הדלתות, במיוחד אם המוצר מופעל בפעם הראשונה או אם הדלת שלו נפתחת לעתים קרובות בסביבה לחה או חמה מאוד. לא מדובר בתקלה. ההתעבות תיעלם אוטומטית.
ריח רע במקרר.
<ul style="list-style-type: none"> יש לנקות את המקרר מבפנים. נקה את פנים המקרר בספוגית, מים פושרים או מי סודה. ייתכן שחלק מהמכלים או מחומרי האריזה גורמים לריח. השתמש במכל אחר או בחומרי אריזה של יצרן אחר.
הדלת אינה נסגרת.
<ul style="list-style-type: none"> אריזות המזון עלולות למנוע את סגירת הדלת. שנה את מקומן של האריזות שמפריעות לסגור את הדלת. המקרר אינו ניצב על הרצפה בצורה אנכית לגמרי והוא מתנענע בכל פעם שמזיזים אותו מעט. כוונן את בורגי ההגבהה. הרצפה אינה ישרה או חזקה. ודא שהרצפה ישרה ומסוגלת לשאת את משקל המקרר.
המגירות לירקות נתקעות.
<ul style="list-style-type: none"> ייתכן שהמזון נוגע בתקרת המגירה. ארגן מחדש את המזון במגירה.

57 0021 0000/AA
EN-HE